



## Art. Nr.: EASK 61.4 EASK 61.4



### Dimensions:

|                        |         |
|------------------------|---------|
| Bus bar 1 in mm:       | 60x10   |
| Bus bar 2 in mm:       | 2x50x10 |
| Round conductor in mm: | 44      |
| Width in mm:           | 95      |
| Height in mm:          | 108,5   |
| Depth in mm:           | 58      |

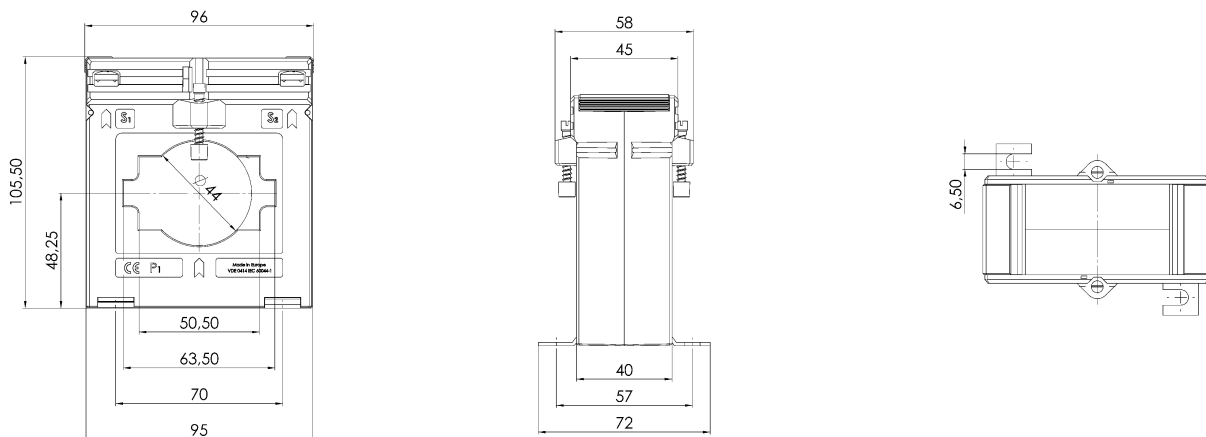
### Technical Data:

|   |                                |
|---|--------------------------------|
| Therm. nominal continuous current $I_{cth}$ : | $1,2 \times I_{pr}$            |
| Therm. nominal short-time current $I_{th}$ :  | $60 \times I_{pr}$ , 1 Sek.    |
| Max. operating voltage $U_m$ :                | 0,72 kV                        |
| Isolation test voltage:                       | 3 kV, $U_{eff}$ , 50 Hz, 1 min |
| Nominal rated frequency:                      | 50 Hz                          |
| Isolation class:                              | E                              |

### General Technical Data:

|  |   |
|--|---|
| Over-current limiting factor:  | See rating plate                                |
| Working temperature range:   | $-5^{\circ}\text{C} < T < +50^{\circ}\text{C}$  |
| Storage temperature range:   | $-25^{\circ}\text{C} < T < +70^{\circ}\text{C}$ |
| Unbreakable plastic housing made of black polycarbonate                | Flame resistant, ultrasonically welded          |
| Nickel-plated secondary terminals with plus-minus nickel-plated screws | M5x10mm   |
| Custom tariff number   | 85043129  |
| Applied standards 1  | DIN EN 61869-1/2                                |
| Applied standards 2  | DIN EN 42600-1/2                                |

### Technical Drawing:



### Contact:

MBS AG - Eisbachstrasse 51 - D-74429 Sulzbach-Laufen - [www.mbs-ag.com](http://www.mbs-ag.com)  
Tel.: +49 7976 9851-0 - Telefax: +49 7976 9851-90 - [verkauf@mbs-ag.com](mailto:verkauf@mbs-ag.com)

Date: 21.11.2024