



Art. Nr.: CTM 7 CTM 7



Dimensions:

Width in mm:	27,5
Height in mm:	46,5
Depth in mm:	19

Technical Data:

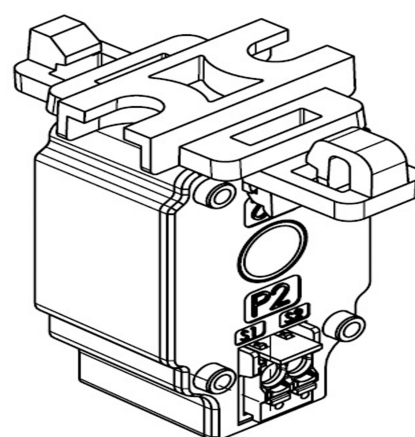
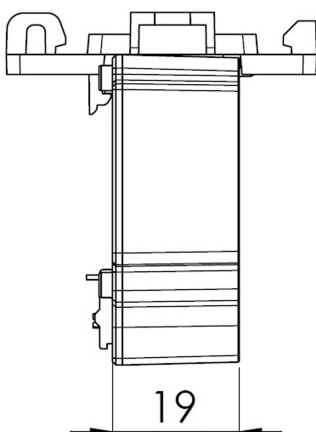
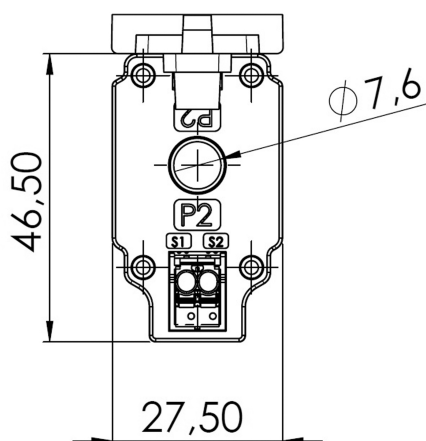
Therm. nominal continuous current I_{cth} :	$1,0 \times I_N$
Therm. nominal short-time current I_{th} :	$60 \times I_N, 1 \text{ Sek.}$
Max. operating voltage U_m :	0,72 kV
Isolation test voltage:	3 kV, $U_{eff}, 50 \text{ Hz}, 1 \text{ Min.}$
Nominal rated frequency:	50 Hz
Isolation class:	E

General Technical Data:

Over-current limiting factor:
 Working temperature range:
 Storage temperature range:
 Unbreakable plastic housing made of black polycarbonate
 Nickel-plated secondary terminals with plus-minus nickel-plated screws
 Custom tariff number
 Applied standards 1
 Applied standards 2
 UL certificated:

See rating plate
 $-5^\circ\text{C} < T < +50^\circ\text{C}$
 $-25^\circ\text{C} < T < +70^\circ\text{C}$
 Flame resistant, ultrasonically welded
 M5x10mm
 85043129
 DIN EN 61869-1/2
 DIN EN 42600-1/2
 Certificate Number - 20100426-E336996

Technical Drawing:



Contact:

MBS AG - Eisbachstrasse 51 - D-74429 Sulzbach-Laufen - www.mbs-ag.com
 Tel.: +49 7976 9851-0 - Telefax: +49 7976 9851-90 - verkauf@mbs-ag.com

Date: 18.11.2024