



# Art. Nr.: ASK 31.3

## ASK 31.3



### Dimensions:

Bus bar 1 in mm:	30x10
Bus bar 2 in mm:	2x20x10
Round conductor in mm:	26
Width in mm:	60
Height in mm:	75,5
Depth in mm:	48

### Technical Data:

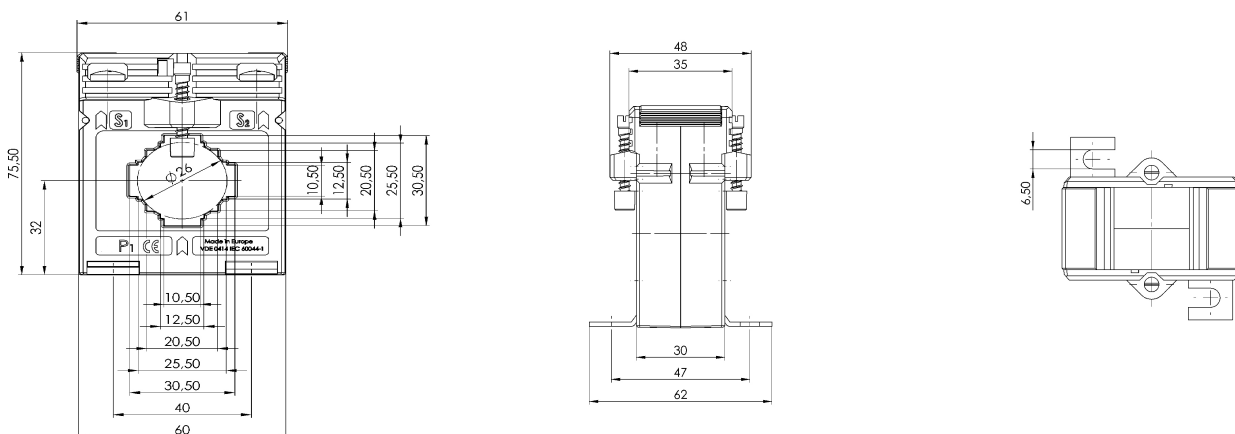
Therm. nominal continuous current $I_{cth}$ :	$1,0 \times I_{pr}$
Therm. nominal short-time current $I_{th}$ :	$60 \times I_{pr}$ , 1 Sek.
Max. operating voltage $U_m$ :	0,72 kV
Isolation test voltage:	3 kV, $U_{eff}$ , 50 Hz, 1 Min.
Nominal rated frequency:	50/60 Hz
Isolation class:	E

### General Technical Data:

Over-current limiting factor:  
 Working temperature range:  
 Storage temperature range:  
 Unbreakable plastic housing made of black polycarbonate  
 Nickel-plated secondary terminals with plus-minus nickel-plated screws  
 Custom tariff number  
 Applied standards 1  
 Applied standards 2

See rating plate  
 $-5^{\circ}\text{C} < T < +50^{\circ}\text{C}$   
 $-25^{\circ}\text{C} < T < +70^{\circ}\text{C}$   
 Flame resistant, ultrasonically welded  
 M5x10mm  
 85043129  
 DIN EN 61869-1/2  
 DIN EN 42600-1/2

### Technical Drawing:



### Contact:

MBS AG - Eisbachstrasse 51 - D-74429 Sulzbach-Laufen - [www.mbs-ag.com](http://www.mbs-ag.com)  
 Tel.: +49 7976 9851-0 - Telefax: +49 7976 9851-90 - [verkauf@mbs-ag.com](mailto:verkauf@mbs-ag.com)

Date: 21.11.2024