



Art. Nr.: XKBR 32 XKBR 32



Dimensions:

Round conductor in mm:	32,5
Width in mm:	59,2
Height in mm:	96,4

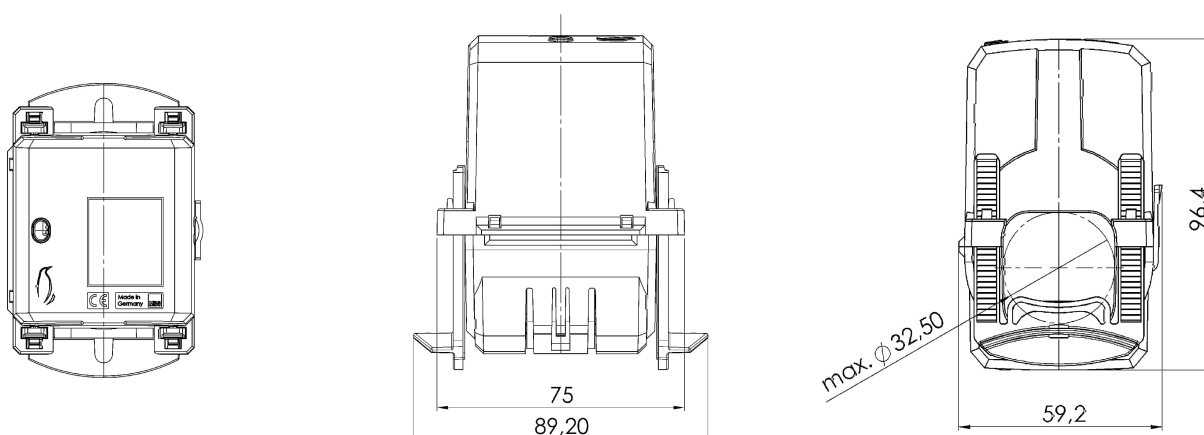
Technical Data:

Therm. nominal continuous current I_{cth} :	$1,2 \times I_{pr}$
Therm. nominal short-time current I_{th} :	$60 \times I_{pr}$, 1 Sek.
Max. operating voltage U_m :	1,2 kV
Isolation test voltage:	6 kV, U_{eff} , 50 Hz, 1 min
Nominal rated frequency:	50/60 Hz
Isolation class:	E
Accuracy classes of the harmonic measurements:	
Measurement accuracy up to 20 kHz:	
$\Delta\phi \leq 1^\circ$ @ 0,05-20 kHz	
$\varepsilon \leq 2\%$ @ 0,05-10 kHz	
$\varepsilon \leq 3\%$ @ 10-20 kHz	

General Technical Data:

Over-current limiting factor:	See rating plate
Working temperature range:	$-5^\circ\text{C} < T < +50^\circ\text{C}$
Storage temperature range:	$-25^\circ\text{C} < T < +70^\circ\text{C}$
Unbreakable plastic housing made of grey polyamide:	Flame resistant, ultrasonically welded
Custom tariff number	85043129
Applied standards 1	DIN EN 61869-1/2
Applied standards 2	DIN EN 42600-1/2

Technical Drawing:



Contact:

MBS AG & Co. KG - Eisbachstrasse 51 - D-74429 Sulzbach-Laufen - www.mbs-ag.com
Tel.: +49 7976 9851-0 - Telefax: +49 7976 9851-90 - verkauf@mbs-ag.com

Date: 04.04.2026