



Art. Nr.: 51-0412 XCTB 81.35



Primary Current:	500
Secondary Current:	5
Burden (VA):	2,5
Accuracy Class:	0,5

Dimensions:

Bus bar 1 in mm:	80x10
Bus bar 2 in mm:	60x30
Round conductor in mm:	55
Width in mm:	120
Height in mm:	135
Depth in mm:	52

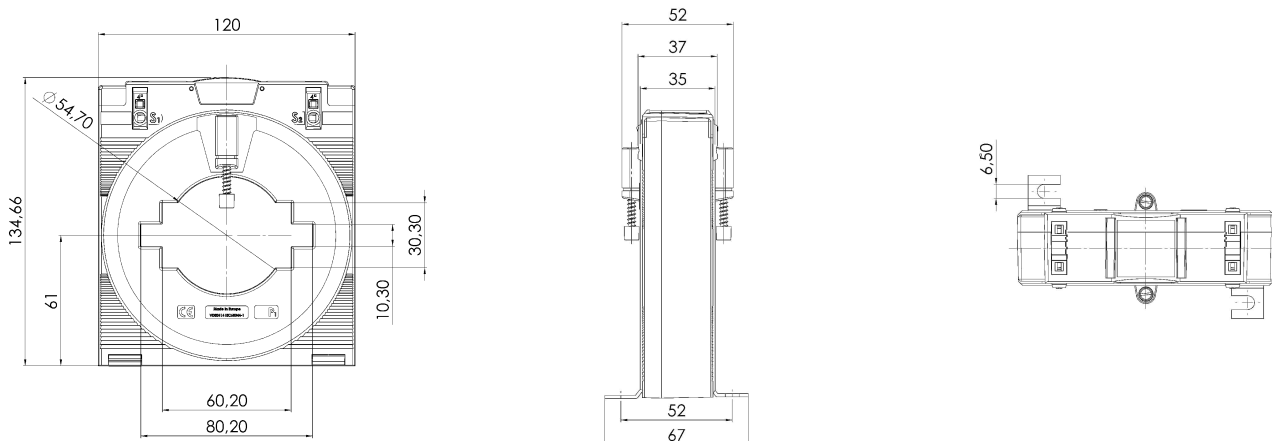
Technical Data:

Therm. nominal continuous current I_{cth} :	$1.2 \times I_{pr}$
Therm. nominal short-time current I_{th} :	$60 \times I_{pr}, 1 \text{ s}$
Max. operating voltage U_m :	1,2 kV
Isolation test voltage:	6 kV, U_{eff} , 50 Hz, 1 min
Lightning impulse voltage:	12 kV, 1.2/50 μs
Nominal rated frequency:	50/60 Hz
Isolation class:	E

General Technical Data:

Over-current limiting factor:	See rating plate
Working temperature range:	$-5^\circ\text{C} < T < +50^\circ\text{C}$
Storage temperature range:	$-25^\circ\text{C} < T < +70^\circ\text{C}$
Unbreakable plastic housing made of grey polyamide:	Yes
Use of spring loaded terminals for connection to the secondary terminals	Yes
Custom tariff number	85043129
Applied standards 1	DIN EN 61869-1/2
Applied standards 2	DIN EN 42600-1/2

Technical Drawing:



Contact:

MBS AG & Co. KG - Eisbachstrasse 51 - D-74429 Sulzbach-Laufen - www.mbs-ag.com
Tel.: +49 7976 9851-0 - Telefax: +49 7976 9851-90 - verkauf@mbs-ag.com

Date: 04.04.2026