



Art. Nr.: 89253 WSK 70.6N



Primary Current:	30
Secondary Current:	Current transformers 1 A
Burden (VA):	10
Accuracy Class:	High Accuracy class 1

Dimensions:

Width in mm:	136
Height in mm:	88,5
Depth in mm:	60

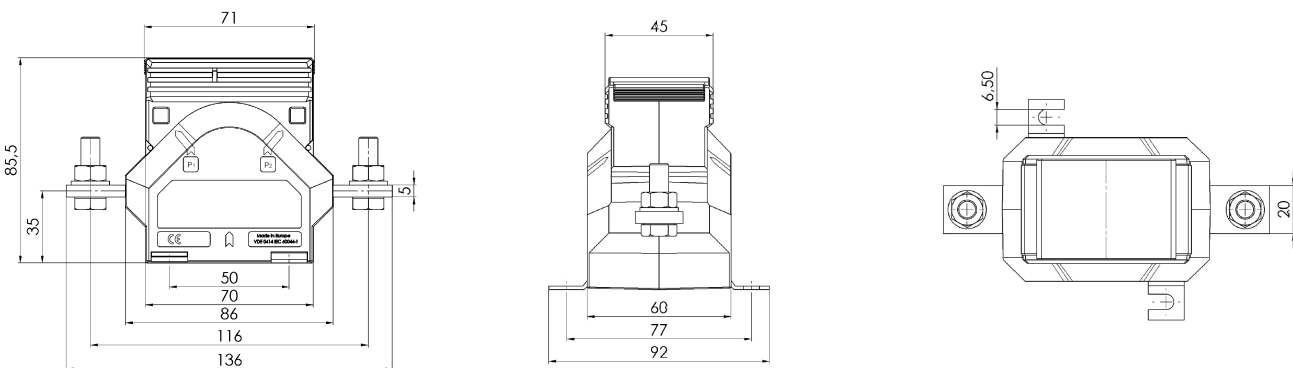
Technical Data:

Therm. nominal continuous current I_{cth} : $1,0 \times I_{pr}$
 Therm. nominal short-time current I_{th} : $60 \times I_{pr}$, 1 Sek.
 Max. operating voltage U_m : 0,72 kV
 Isolation test voltage: 3 kV, U_{eff} , 50 Hz, 1 Min.
 Nominal rated frequency: 50 Hz
 Isolation class: E

General Technical Data:

Over-current limiting factor:	See rating plate
Working temperature range:	$-5^{\circ}\text{C} < T < +50^{\circ}\text{C}$
Storage temperature range:	$-25^{\circ}\text{C} < T < +70^{\circ}\text{C}$
Unbreakable plastic housing made of black polycarbonate	Flame resistant, ultrasonically welded
Nickel-plated secondary terminals with plus-minus nickel-plated screws	M5x10mm
Custom tariff number	85043129
Applied standards 1	DIN EN 61869-1/2
Applied standards 2	DIN EN 42600-1/2

Technical Drawing:



Contact:

MBS AG & Co. KG - Eisbachstrasse 51 - D-74429 Sulzbach-Laufen - www.mbs-ag.com
 Tel.: +49 7976 9851-0 - Telefax: +49 7976 9851-90 - verkauf@mbs-ag.com

Date: 23.04.2026