



## Art. Nr.: NH 6.3 2U NH 6.3 2U



### Dimensions:

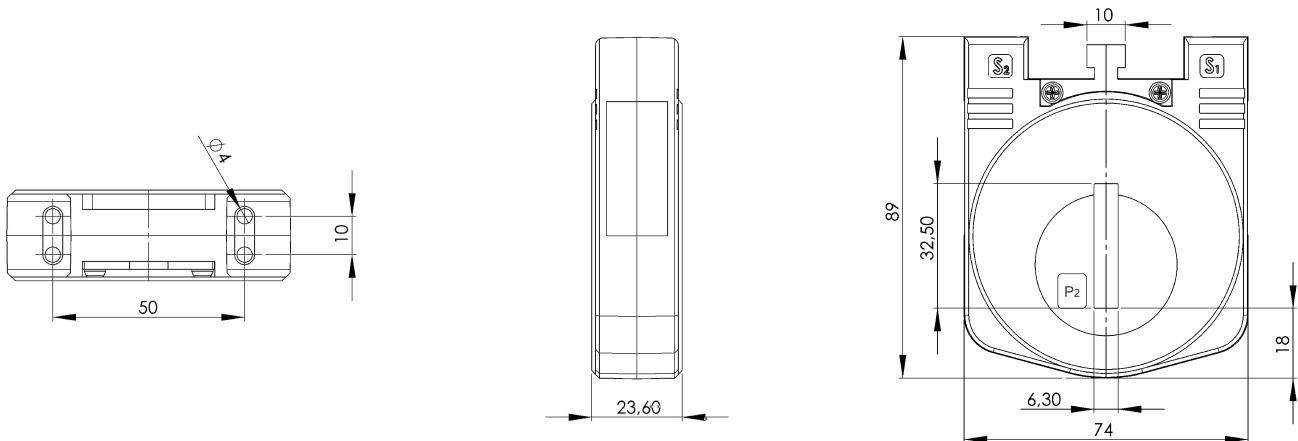
Bus bar 1 in mm:	32x6
Width in mm:	74
Height in mm:	89
Depth in mm:	23,6

### Technical Data:

Therm. nominal continuous current  $I_{cth}$ :  $1,0 \times I_{pr}$   
Therm. nominal short-time current  $I_{th}$ :  $60 \times I_{pr}$ , 1 Sek.  
Max. operating voltage  $U_m$ : 0,72 kV  
Isolation test voltage: 3 kV,  $U_{eff}$ , 50 Hz, 1 Min.  
Nominal rated frequency: 50 Hz  
Isolation class: E

### General Technical Data:

### Technical Drawing:



### Contact:

MBS AG & Co. KG - Eisbachstrasse 51 - D-74429 Sulzbach-Laufen - [www.mbs-ag.com](http://www.mbs-ag.com)  
Tel.: +49 7976 9851-0 - Telefax: +49 7976 9851-90 - [verkauf@mbs-ag.com](mailto:verkauf@mbs-ag.com)

Date: 04.04.2026