



Art. Nr.: EASK 31.3 EASK 31.3



Dimensions:

Bus bar 1 in mm:	30x10
Bus bar 2 in mm:	2x20x10
Round conductor in mm:	26
Width in mm:	60
Height in mm:	78,5
Depth in mm:	48

Technical Data:

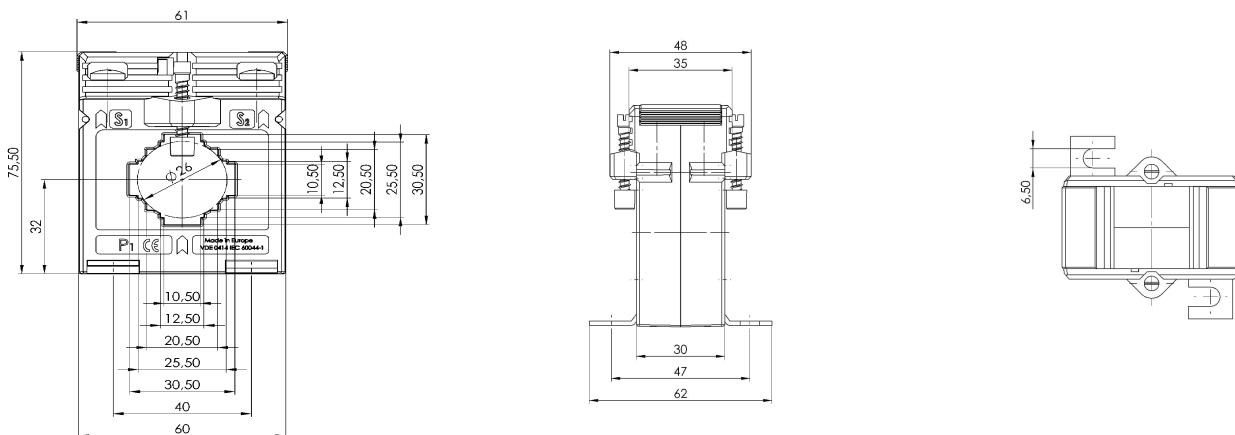
Therm. nominal continuous current I_{cth} :	$1,2 \times I_{pr}$
Therm. nominal short-time current I_{th} :	$60 \times I_{pr}$, 1 Sek.
Max. operating voltage U_m :	0,72 kV
Isolation test voltage:	3 kV, U_{eff} , 50 Hz, 1 min
Nominal rated frequency:	50 Hz
Isolation class:	E

General Technical Data:

Over-current limiting factor:
 Working temperature range:
 Storage temperature range:
 Unbreakable plastic housing made of black polycarbonate
 Nickel-plated secondary terminals with plus-minus nickel-plated screws
 Custom tariff number
 Applied standards 1
 Applied standards 2

See rating plate
 $-5^{\circ}\text{C} < T < +50^{\circ}\text{C}$
 $-25^{\circ}\text{C} < T < +70^{\circ}\text{C}$
 Flame resistant, ultrasonically welded
 M5x10mm
 85043129
 DIN EN 61869-1/2
 DIN EN 42600-1/2

Technical Drawing:



Contact:

MBS AG & Co. KG - Eisbachstrasse 51 - D-74429 Sulzbach-Laufen - www.mbs-ag.com
 Tel.: +49 7976 9851-0 - Telefax: +49 7976 9851-90 - verkauf@mbs-ag.com

Date: 05.04.2026