



Art. Nr.: 29063 ASK 318.3



| | |
|--------------------|-----|
| Primary Current: | 400 |
| Secondary Current: | 5 |
| Burden (VA): | 2,5 |
| Accuracy Class: | 1 |

Dimensions:

| | |
|------------------------|-------|
| Bus bar 1 in mm: | 31x18 |
| Round conductor in mm: | 26 |
| Width in mm: | 60 |
| Height in mm: | 75,5 |
| Depth in mm: | 48 |

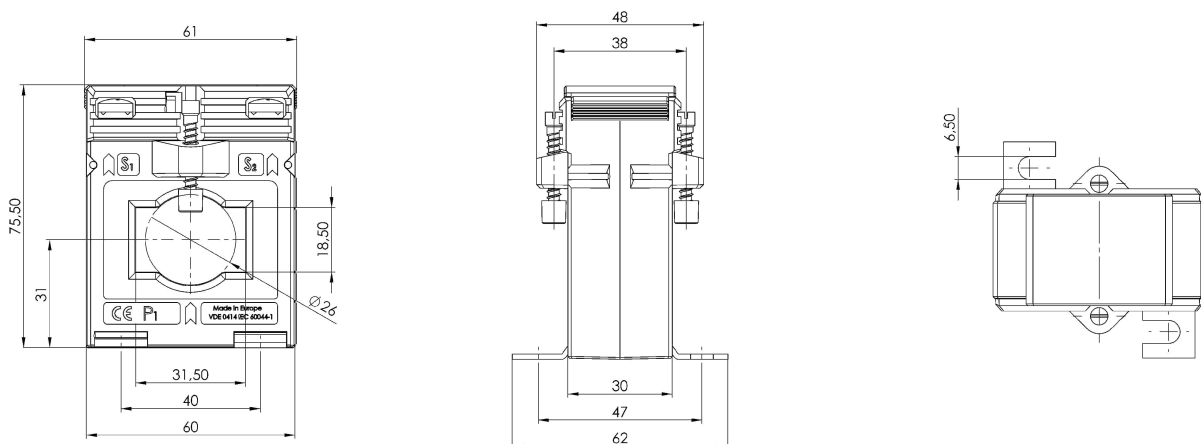
Technical Data:

| | |
|---|---------------------------------|
| Therm. nominal continuous current I_{cth} : | $1,0 \times I_{pr}$ |
| Therm. nominal short-time current I_{th} : | $60 \times I_{pr}$, 1 Sek. |
| Max. operating voltage U_m : | 0,72 kV |
| Isolation test voltage: | 3 kV, U_{eff} , 50 Hz, 1 Min. |
| Nominal rated frequency: | 50/60 Hz |
| Isolation class: | E |

General Technical Data:

| | |
|--|---|
| Over-current limiting factor: | See rating plate |
| Working temperature range: | $-5^{\circ}\text{C} < T < +50^{\circ}\text{C}$ |
| Storage temperature range: | $-25^{\circ}\text{C} < T < +70^{\circ}\text{C}$ |
| Unbreakable plastic housing made of black polycarbonate | Flame resistant, ultrasonically welded |
| Nickel-plated secondary terminals with plus-minus nickel-plated screws | M5x10mm |
| Custom tariff number | 85043129 |
| Applied standards 1 | DIN EN 61869-1/2 |
| Applied standards 2 | DIN EN 42600-1/2 |

Technical Drawing:



Contact:

MBS AG & Co. KG - Eisbachstrasse 51 - D-74429 Sulzbach-Laufen - www.mbs-ag.com
Tel.: +49 7976 9851-0 - Telefax: +49 7976 9851-90 - verkauf@mbs-ag.com

Date: 05.04.2026