



Plug-in current transformer for InLine II

We make energy measurable and take care of your future



www.mbs-ag.com



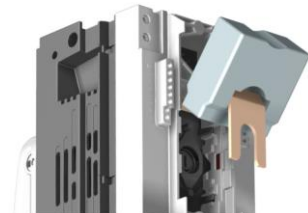
Plug-in current transformers for Fuse Switch Disconnectors type InLine II

ASKL 19.34 for size 00 and ASKL 31.34 for size 123

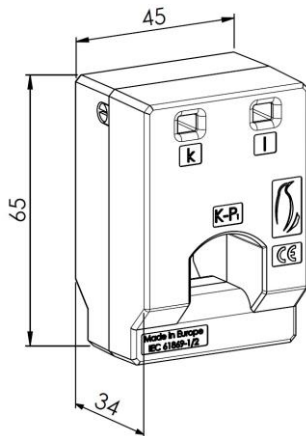


Features / benefits

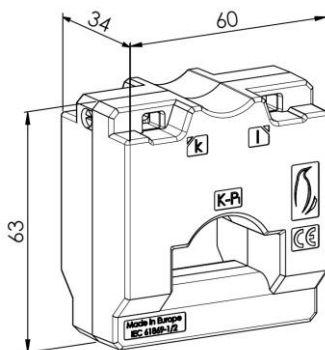
- Current transformers especially designed for mounting at the rear side of InLine II Fuse Switch Disconnectors in size 00 (ASKL 19.34) and size 123 (ASKL 31.34)
- Easy installation of one current transformer per phase
- Two different CT types available for a perfect fitting installation
- Deliverable from 80 A - 600 A, adapted to InLine II



ASKL 19.34



ASKL 31.34

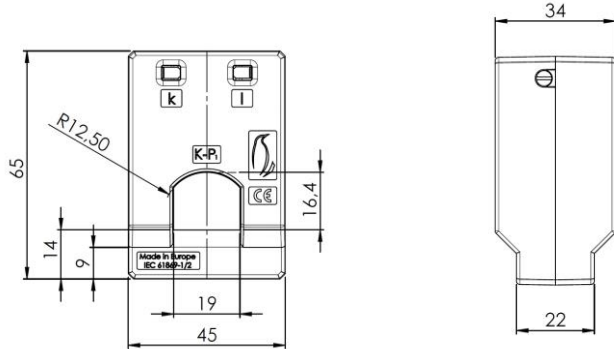


Ref. fig. Fuse Switch Disconnectors: ABB

General technical specifications

- Operating temperature: $-5^{\circ}\text{C} < T < +50^{\circ}\text{C}$
- Storage temperature: $-25^{\circ}\text{C} < T < +70^{\circ}\text{C}$
- Therm. nominal continuous rated current I_{cth} : $1.2 \times I_N$
- Therm. nominal short-time current I_{th} : $60 \times I_N$, 1 sec.
- Max. operating voltage U_m : 1.2 kV
- Isolation test voltage: 6 kV, U_{eff} , 50 Hz, 1 min.
- Rated frequency: 50 Hz
- Isolation class: B
- Applicable technical standard: DIN EN 61869, part 1 + 2

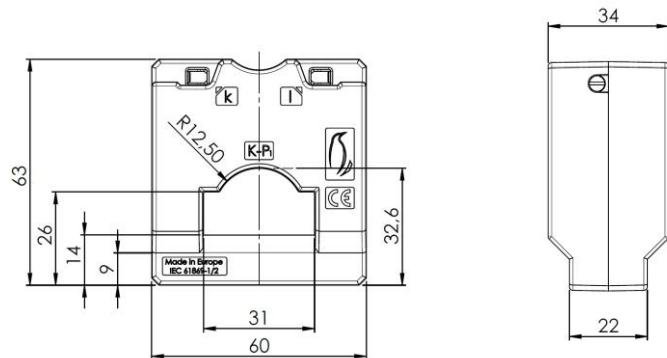
ASKL 19.34 for InLine II, size 00



Order list – ASKL 19.34 for industrial applications

Secondary current		5A			1A		
Primary current [A]	Burden [VA]	Accuracy class			Accuracy class		
		1	0.5	0.5s	1	0.5	0.5s
		Art.-no.	Art.-no.	Art.-no.	Art.-no.	Art.-no.	Art.-no.
80	1	34-0001	34-0019			34-2022	
	1.5				34-2002		
100	1		34-0020	34-0031			
	1.5	34-0003				34-2024	34-2037
120	2				34-2005		
	1.5		34-0022	34-0033	34-2007	34-2026	34-2039
	2	34-0006					
125	2.5				34-2009		
	1.5		34-0024	34-0035		34-2028	34-2041
	2	34-0009					
150	2.5	34-0010			34-2013		
	1.5		34-0026	34-0037		34-2030	34-2043
	2	34-0013	34-0027			34-2031	
160	2.5	34-0014			34-2017		
	1.5		34-0029	34-0039			34-2045
	2	34-0017	34-0030				
	2.5	34-0018			34-2021	34-2035	

ASKL 31.34 for InLine II, size 123



Order list – ASKL 31.34 for industrial applications

Secondary current		5A			1A		
Primary current [A]	Burden [VA]	Accuracy class			Accuracy class		
		1	0.5	0.5s	1	0.5	0.5s
		Best.-Nr.	Best.-Nr.	Best.-Nr.	Best.-Nr.	Best.-Nr.	Best.-Nr.
250	2.5			34-0140			34-2140
	3.75	34-0103	34-0123			34-2123	
	5				34-2104		
300	3.75		34-0126	34-0143		34-2126	34-2143
	5	34-0108			34-2108		
400	5	34-0112	34-0130	34-0147	34-2112	34-2130	34-2147
500	5	34-0116	34-0134	34-0151	34-2116	34-2134	34-2151
600	5	34-0120	34-0138	34-0155	34-2120	34-2138	34-2155



- Current transformers for industry
- Current transformers for tariff
- Accessories for current transformers
- Medium-voltage CTs
- Bus bar insulators / -supports
- Shunts
- Voltage transformers
- All current sensors
- Measuring transducers
- Energy meters with or without MID approval
- Accessories for energy meters
- Panel board heaters, filter fans, roof fans and control units



www.mbs-ag.com



MBS AG
 Eisbachstraße 51 • 74429 Sulzbach-Laufen • Germany
 Telefon: +49 7976 9851-0 • Telefax: +49 7976 9851-90
info@mbs-ag.com • www.mbs-ag.com