

Plug-in current transformer with „Cage Clamp®“,
UL certificated



First CT series in the low-voltage with lightning impulse 12 kV / 1,2/50 μ s



www.mbs-ag.com



Certificate of Compliance

Certificate Number 20100426-E336996
 Report Reference E336996, 2010 April 23
 Issue Date 2010 April 26

Page 1 of 1



Issued to: **MBSAG**
 Eisbachstr 51
 Sulzbach-Laufen, 74429
 Germany

This is to certify that representative samples of **INSTRUMENT TRANSFORMERS**
 Series CTB

Have been investigated by Underwriters Laboratories in accordance with the Standard(s) indicated on this Certificate.

Standard(s) for Safety: **IEEE C57.13-1993**
CSA CAN3-C13-M83

Additional Information: See **UL On-line Certification Directory** at www.ul.com for additional information.

Only those products bearing the UL Recognized Component Marks for the U.S. and Canada should be considered as being covered by UL's Recognition and Follow-Up Service and meeting the appropriate U.S. and Canadian requirements.

The UL Recognized Component Mark for the U.S. generally consists of the manufacturer's identification and catalog number, model number or other product designation as specified under "Marking" for the particular Recognition as published in the appropriate UL Directory. As a supplementary means of identifying products that have been produced under UL's Component Recognition Program, UL's Recognized Component Mark **RA** may be used in conjunction with the required Recognized Marks. The Recognized Component Mark is required when specified in the UL Directory preceding the recognitions or under "Markings" for the individual recognitions. The UL Recognized Component Mark for Canada consists of the UL Recognized Mark for Canada **RA** and the manufacturer's identification and catalog number, model number or other product designation as specified under "Marking" for the particular Recognition as published in the appropriate UL Directory.

Look for the UL Recognized Component Mark on the product

William R. Carney
 Director, North American Certification Programs
 Underwriters Laboratories Inc.
 Any information and documentation involving UL Mark services are provided on behalf of Underwriters Laboratories Inc. (UL) or any authorized licensee of UL.
 For questions, please contact a local UL Customer Service Representative at <http://www.ul.com/global/eng/pages/corporate/contactus/>



CERTIFICATE

The Certification Body
 of TÜV SÜD Management Service GmbH
 certifies that



MBS AG

Eisbachstraße 51, D-74429 Sulzbach-Laufen

has established and applies
 a Quality Management System for

Development, production and sales of measuring transducers, energy meters, bus bar insulators/ holders, Low voltage current transformers series 0.5- split core current transformers, verification/ certification of electrical measuring instruments within the scope of the Official Testing Laboratory for Measuring Instruments.

An audit was performed, Report No. **70003062**
 Proof has been furnished that the requirements
 according to

ISO 9001:2008

are fulfilled. The certificate is valid until **2012-03-19**
 Certificate Registration No. **12 100 20346 TMS**

Munich, 2010-06-11



GMS-TGA-ZM-07-92

TÜV SÜD Management Service GmbH • Zertifizierstelle • Ridlerstraße 65 • 80339 München • Germany

TUV®

ZERTIFIKAT ◆ CERTIFICATE ◆ ЗЕРТИФИКАТ

MBS AG

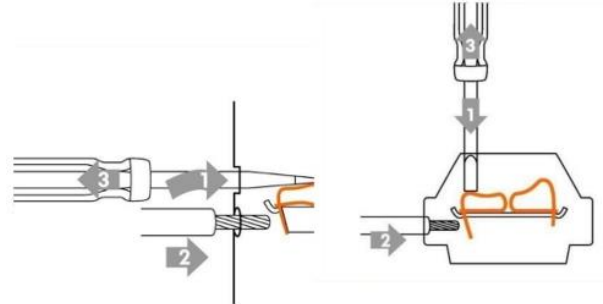
Eisbachstraße 51 · 74429 Sulzbach-Laufen
 Germany

Telefon: +49 7976 9851-0 · Telefax: +49 7976 9851-90
 E-Mail: info@mbs-ag.com · Web: www.mbs-ag.com

Plug-in current transformer with screwless connection technology „Cage Clamp®“, UL certificated



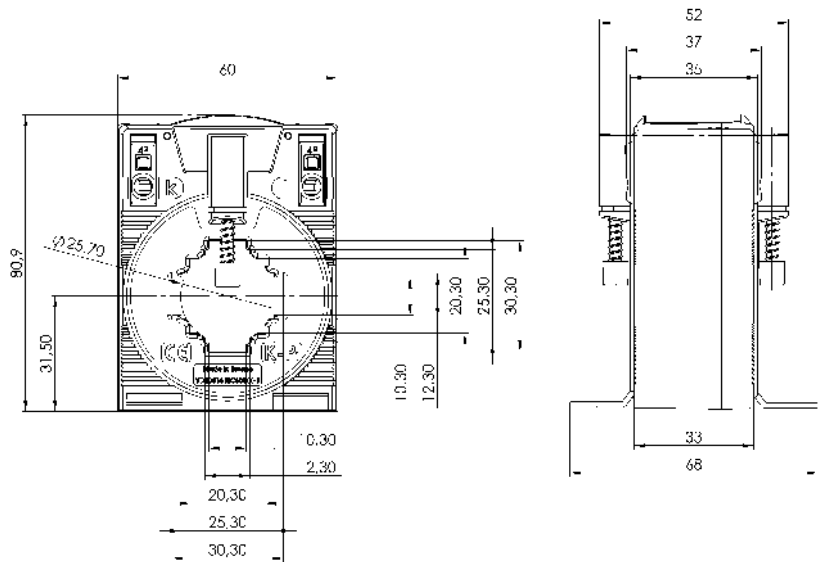
Screwless connection technology
„Cage Clamp®“ (In front or on top)



Further information:

- World's first CT with screwless connection technology for the secondary caps – „Cage Clamp®“
- **UL certification.** Certificate no.: 20100426-E336996
- Innovative time-saving connection of either solid or flexible terminals not exceeding 4 mm² to be fitted either on the top or bottom or in the center without ferrules.
- Vibration and shock resistant
- Maintenance free gas-tight connection
- High current carrying capacity
- Low voltage CT for maximum operating voltage to 1.2 kV. Use in 690 V networks possible
- Isolation test voltage: 6 kV, $U_{eff.}$, 50 Hz, 1 min.
- **Higher isolation level 1.2/6/12 kV – Tested lightning impulse voltage for 690 V switchgear according IEC 61439-1 und -2!**
- Primary nominal current ranges from 50 A up to 2500 A
- Accuracy classes 3; 1; 0,5; 0,5S, 0,2 und 0,2S
- Can be overloaded continuously with 120 % of the primary rated current
- Suitable for nominal frequencies of 50 Hz or 60 Hz
- Over-current limiting factor: See rating plate
- Isolation class: E
- Operating temperature in the range -5°C to 50°C
- Storage temperature in the range -25°C to 70°C
- Unbreakable plastic housing of grey polycarbonate, self-extinguishing, UL94-V0 and flame resistant
- Packaging unit: 1 pc.
- Customs tariff number: 85043129

CTB 31.35 Plug-in current transformer



Dimension:

- Bus bar 1: 30 x 10 mm
- Bus bar 2: 25 x 12 mm
- Bus bar 3: 20 x 20 mm
- Round conductor: 25.7 mm
- Transformer width: 60 mm
- Transformer height: 80.9 mm
- Total depth: 52 mm

General technical specifications:

- Thermal nominal continuous rated current I_{cth} : 1.2 x I_N
- Thermal nominal short-time current I_{th} : 60 x I_N , 1 sec.
- Maximum operating voltage U_m : 1.2 kV, U_{eff}
- Isolation test voltage: 6 kV, U_{eff} , 50 Hz, 1 Min.
- Lightning impulse voltage: 12kV, 1,2/50 μ s**
- Rated frequency: 50 / 60 Hz
- Applicable technical standards: DIN EN 61869, part 1 + 2

Order list – secondary 5A

| Secondary current | | 5A | | | | | |
|-------------------|--------|----------------|----------|----------|----------|----------|----------|
| Primary current | Burden | Accuracy class | | | | | |
| | | 3 | 1 | 0.5 | 0.5S | 0.2 | 0.2S |
| [A] | [VA] | Art.-no. | Art.-no. | Art.-no. | Art.-no. | Art.-no. | Art.-no. |
| 50 | 1.25 | 50-0001 | | | | | |
| 60 | 1.25 | | 50-0017 | | | | |
| 75 | 2.5 | | 50-0018 | | | | |
| 80 | 2.5 | | 50-0019 | | | | |
| 100 | 1.5 | | | G50-5001 | G50-5024 | G50-5046 | |
| | 2.5 | | 50-0002 | G50-5002 | G50-5025 | | |
| 125 | 1.5 | | | 50-2001 | G50-5027 | | |
| | 2.5 | | 50-0003 | G50-5004 | G50-5028 | | |
| 150 | 1.5 | | | | G50-5029 | G50-5049 | G50-5065 |
| | 2.5 | | | 50-2002 | G50-5030 | | |
| | 5 | | 50-0004 | | | | |
| 200 | 1.5 | | | | G50-5031 | G50-5050 | G50-5066 |
| | 2.5 | | | 50-2003 | G50-5032 | G50-5051 | |
| | 5 | | 50-0005 | G50-5010 | G50-5033 | | |
| 250 | 2.5 | | | G50-5011 | G50-5034 | G50-5052 | G50-5067 |
| | 5 | | 50-0006 | 50-2004 | G50-5035 | G50-5053 | |
| 300 | 5 | | 50-0007 | 50-2005 | G50-5037 | G50-5035 | G50-5067 |
| | 10 | | 50-0008 | | | | |
| 400 | 5 | | 50-0009 | 50-2006 | G50-5038 | G50-5056 | G50-5070 |
| | 10 | | 50-0010 | 50-2007 | | | |
| 500 | 5 | | 50-0011 | 50-2008 | G50-5040 | G50-5058 | G50-5072 |
| | 10 | | 50-0012 | 50-2009 | G50-5041 | | |
| 600 | 5 | | 50-0013 | 50-2010 | G50-5042 | G50-5059 | G50-5073 |
| | 10 | | 50-0014 | 50-2011 | G50-5043 | G50-5060 | |
| 750 | 5 | | 50-0015 | 50-2012 | G50-5044 | G50-5061 | G50-5074 |
| | 10 | | 50-0016 | 50-2013 | G50-5045 | G50-5062 | G50-5075 |

Order list – secondary 1A

| Secondary current | | 1A | | | | | |
|-------------------|--------|----------------|----------|----------|----------|----------|----------|
| Primary current | Burden | Accuracy class | | | | | |
| | | 3 | 1 | 0.5 | 0.5S | 0.2 | 0.2S |
| [A] | [VA] | Art.-no. | Art.-no. | Art.-no. | Art.-no. | Art.-no. | Art.-no. |
| 50 | 1.25 | 50-0021 | | | | | |
| 60 | 1.25 | | 50-0037 | | | | |
| 75 | 2.5 | | 50-0038 | | | | |
| 80 | 2.5 | | 50-0039 | | | | |
| 100 | 1.5 | | | G50-7001 | G50-7024 | G50-7046 | |
| | 2.5 | | 50-0022 | G50-7002 | G50-7025 | | |
| 125 | 1 | | | G50-7003 | G50-7026 | G50-7047 | G50-7061 |
| | 1.5 | | | 50-2021 | G50-7027 | G50-7048 | |
| | 2.5 | | 50-0023 | G50-7005 | G50-7028 | | |
| 150 | 1.5 | | | G50-7006 | G50-7029 | G50-7049 | G50-7062 |
| | 2.5 | | | 50-2022 | G50-7030 | | |
| | 5 | | 50-0024 | | | | |
| 200 | 1.5 | | | G50-7008 | G50-7031 | G50-7050 | G50-7063 |
| | 2.5 | | | 50-2023 | G50-7032 | G50-7051 | G50-7064 |
| | 5 | | 50-0025 | G50-7010 | G50-7033 | | |
| 250 | 2.5 | | | G50-7011 | G50-7034 | G50-7052 | G50-7065 |
| | 5 | | 50-0026 | 50-2024 | G50-7035 | | |
| 300 | 2.5 | | | | G50-7036 | G50-7053 | G50-7066 |
| | 5 | | 50-0027 | 50-2025 | G50-7037 | G50-7054 | |
| | 10 | | 50-0028 | | | | |
| 400 | 5 | | 50-0029 | 50-2026 | G50-7038 | G50-7055 | G50-7067 |
| | 10 | | 50-0030 | 50-2027 | | | |
| 500 | 2.5 | | | | G50-7039 | G50-7056 | G50-7068 |
| | 5 | | 50-0031 | 50-2028 | G50-7040 | G50-7057 | |
| | 10 | | 50-0032 | 50-2029 | G50-7041 | | |
| 600 | 5 | | 50-0033 | 50-2030 | G50-7042 | G50-7058 | G50-7069 |
| | 10 | | 50-0034 | 50-2031 | G50-7043 | | |
| 750 | 5 | | 50-0035 | 50-2032 | G50-7044 | G50-7059 | G50-7070 |
| | 10 | | 50-0036 | 50-2033 | G50-7045 | G50-7060 | G50-7071 |

Accessories

Quick-Fix (Art.-no.: 55021)



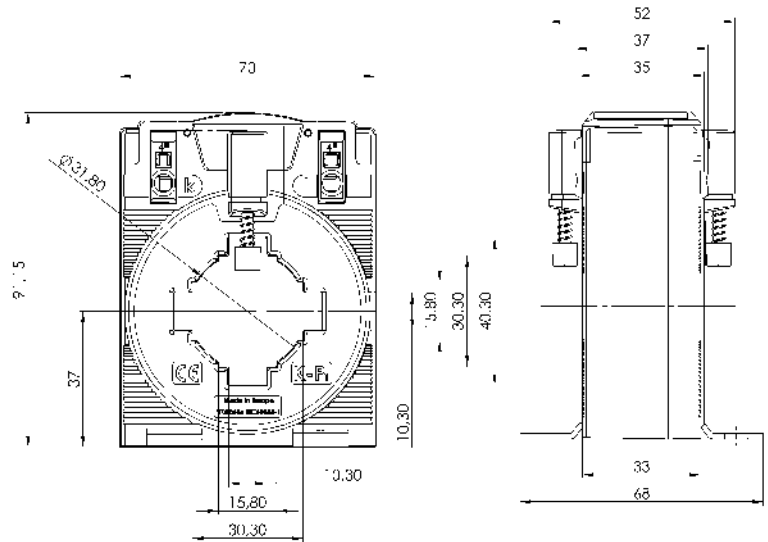
Sealed shutter (Art.-no.: 59057)



Snap-on mounting to clip the current transformer onto 35 mm DIN rail (Art.-no. 55015)



CTB 41.35 Plug-in current transformer



Dimension:

- Primary conductor 1: 40 x 10 mm
- Primary conductor 2: 30 x 15 mm
- Round conductor: 31.8 mm
- Transformer width: 70 mm
- Transformer height: 91.15 mm
- Total depth: 52 mm

General technical specifications:

- Thermal nominal continuous rated current I_{cth} : $1.2 \times I_N$
- Thermal nominal short-time current I_{th} : $60 \times I_N$, 1 sec.
- Maximum operating voltage U_m : 1.2 kV, U_{eff}
- Isolation test voltage: 6 kV, U_{eff} , 50 Hz, 1 Min.

Lightning impulse voltage: 12kV, 1,2/50 μ s

Rated frequency: 50 / 60 Hz

Applicable technical standards: DIN EN 61869, part 1 + 2

Order list – secondary 5A

| Secondary current | | 5A | | | | | |
|-------------------|--------|----------------|----------|----------|----------|----------|----------|
| Primary current | Burden | Accuracy class | | | | | |
| | | 3 | 1 | 0.5 | 0.5S | 0.2 | 0.2S |
| [A] | [VA] | Art.-no. | Art.-no. | Art.-no. | Art.-no. | Art.-no. | Art.-no. |
| 75 | 1.25 | 50-0050 | | | | | |
| 80 | 1.25 | 50-0051 | | | | | |
| 100 | 2.5 | 50-0052 | | | | | |
| 125 | 2.5 | | 50-0053 | | | | |
| 150 | 2.5 | | 50-0054 | | | | |
| 200 | 1.5 | | | 50-2050 | G50-5116 | | |
| | 2.5 | | | G50-5102 | | | |
| | 5 | | 50-0055 | | | | |
| 250 | 2.5 | | | 50-2051 | G50-5117 | | |
| | 5 | | 50-0056 | | | | |
| 300 | 2.5 | | | 50-2052 | G50-5118 | | |
| | 5 | | 50-0057 | G50-5105 | | | |
| 400 | 5 | | 50-0058 | 50-2053 | G50-5119 | | |
| 500 | 2.5 | | | G50-5107 | G50-5120 | G50-5128 | |
| | 5 | | 50-0059 | 50-2054 | G50-5121 | | |
| | 10 | | 50-0060 | G50-5109 | | | |
| 600 | 2.5 | | | G50-5110 | G50-5129 | G50-5129 | G50-5134 |
| | 5 | | 50-0061 | 50-2055 | G50-5130 | G50-5130 | |
| | 10 | | 50-0062 | 50-2056 | | | |
| 750 | 2.5 | | | G50-5113 | G50-5131 | G50-5131 | G50-5135 |
| | 5 | | 50-0063 | 50-2057 | G50-5132 | G50-5132 | G50-5136 |
| | 10 | | 50-0064 | 50-2058 | G50-5133 | G50-5133 | |
| 800 | 5 | | 50-0065 | 50-2059 | | | |
| | 10 | | 50-0066 | 50-2060 | | | |
| 1000 | 5 | | 50-0067 | 50-2061 | | | |
| | 10 | | 50-0068 | 50-2062 | | | |

MBS AG

Eisbachstraße 51 · 74429 Sulzbach-Laufen
Germany

Telefon: +49 7976 9851-0 · Telefax: +49 7976 9851-90
E-Mail: info@mbs-ag.com · Web: www.mbs-ag.com

Order list – secondary 1A

| Secondary current | | 1A | | | | | |
|-------------------|--------|----------------|----------|----------|----------|----------|----------|
| Primary current | Burden | Accuracy class | | | | | |
| | | 3 | 1 | 0.5 | 0.5S | 0.2 | 0.2S |
| [A] | [VA] | Art.-no. | Art.-no. | Art.-no. | Art.-no. | Art.-no. | Art.-no. |
| 75 | 1.25 | 50-0070 | | | | | |
| 80 | 1.25 | 50-0071 | | | | | |
| 100 | 2.5 | 50-0072 | | | | | |
| 125 | 2.5 | | 50-0073 | | | | |
| 150 | 2.5 | | 50-0074 | | | | |
| 200 | 1.5 | | | 50-2070 | G50-7115 | | |
| | 2.5 | | | G50-7102 | | | |
| | 5 | | 50-0075 | | | | |
| 250 | 2.5 | | | 50-2071 | G50-7116 | | |
| | 5 | | 50-0076 | | | | |
| 300 | 2.5 | | | 50-2072 | G50-7117 | | |
| | 5 | | 50-0077 | G50-7105 | | | |
| 400 | 5 | | 50-0078 | 50-2073 | G50-7118 | | |
| | 2.5 | | | G50-7107 | G50-7119 | G50-7126 | |
| 500 | 5 | | 50-0079 | 50-2074 | G50-7120 | | |
| | 10 | | 50-0080 | 50-2075 | | | |
| | 2.5 | | | G50-7110 | G50-7121 | G50-7127 | |
| 600 | 5 | | 50-0081 | 50-2076 | G50-7122 | G50-7128 | |
| | 10 | | 50-0082 | 50-2077 | G50-7123 | | |
| | 2.5 | | | G50-7113 | G50-7124 | G50-7129 | |
| 750 | 5 | | 50-0083 | 50-2078 | G50-7125 | | |
| | 10 | | 50-0084 | | | | |
| 800 | 5 | | 50-0085 | 50-2079 | | | |
| | 10 | | 50-0086 | 50-2080 | | | |
| 1000 | 5 | | 50-0087 | 50-2081 | | | |
| | 10 | | 50-0088 | 50-2082 | | | |

Accessories

Quick-Fix (Art.-no.: 55021)



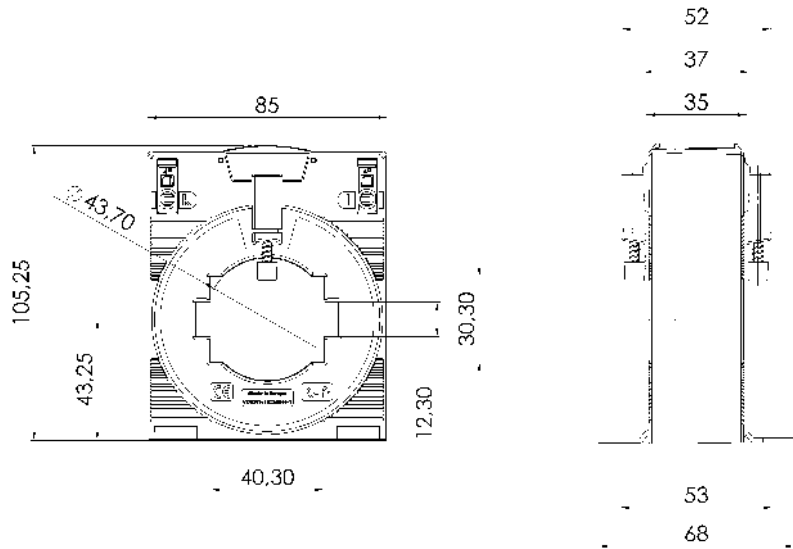
Sealed shutter (Art.-no.: 59057)



Snap-on mounting to clip the current transformer onto 35 mm DIN rail (Art.-no. 55015)



CTB 51.35 Plug-in current transformer



Dimension:

Primary conductor 1: 50 x 12 mm
 Primary conductor 2: 40 x 30 mm
 Round conductor: 43.7 mm
 Transformer width: 85 mm
 Transformer height: 105.25 mm
 Total depth: 52 mm

General technical specifications:

Thermal nominal continuous rated current I_{cth} : $1.2 \times I_N$
 Thermal nominal short-time current I_{th} : $60 \times I_N$, 1 sec.
 Maximum operating voltage U_m : 1.2 kV, U_{eff}
 Isolation test voltage: 6 kV, U_{eff} , 50 Hz, 1 Min.

Lightning impulse voltage: 12kV, 1,2/50 μ s

Rated frequency: 50 / 60 Hz

Applicable technical standards: DIN EN 61869, part 1 + 2

Order list – secondary 5A

| Secondary current | | 5A | | | | |
|-------------------|--------|----------------|----------|----------|----------|----------|
| Primary current | Burden | Accuracy class | | | | |
| | | 1 | 0.5 | 0.5S | 0.2 | 0.2S |
| [A] | [VA] | Art.-no. | Art.-no. | Art.-no. | Art.-no. | Art.-no. |
| 100 | 1.25 | 50-0100 | | | | |
| | 1.5 | | G50-5201 | G50-5223 | | |
| 125 | 1.5 | | G50-5202 | G50-5224 | | |
| | 2.5 | 50-0101 | | | | |
| 150 | 2.5 | 50-0102 | G50-5203 | G50-5225 | | |
| 200 | 1.5 | | 50-2100 | G50-5226 | G50-5244 | |
| | 2.5 | | G50-5205 | G50-5227 | | |
| | 5 | 50-0103 | | | | |
| 250 | 1.5 | | G50-5206 | G50-5228 | G50-5245 | G50-5258 |
| | 2.5 | | 50-2101 | G50-5229 | G50-5246 | |
| | 5 | 50-0104 | | | | |
| 300 | 2.5 | | 50-2102 | G50-5230 | G50-5247 | G50-5259 |
| | 5 | 50-0105 | G50-5209 | G50-5231 | G50-5248 | |
| 400 | 2.5 | | G50-5210 | G50-5232 | G50-5249 | G50-5260 |
| | 5 | 50-0106 | 50-2103 | G50-5233 | G50-5250 | |
| | 10 | 50-0107 | | | | |
| 500 | 2.5 | | G50-5212 | G50-5234 | G50-5251 | G50-5261 |
| | 5 | 50-0108 | 50-2104 | G50-5235 | G50-5252 | G50-5262 |
| | 10 | 50-0109 | 50-2105 | | | |
| 600 | 2.5 | | G50-5215 | G50-5236 | G50-5253 | G50-5263 |
| | 5 | 50-0110 | 50-2106 | G50-5237 | G50-5254 | G50-5264 |
| | 10 | 50-0111 | 50-2107 | G50-5238 | | |
| 750 | 2.5 | | G50-5218 | G50-5239 | G50-5255 | G50-5265 |
| | 5 | 50-0112 | 50-2108 | G50-5240 | G50-5256 | G50-5266 |
| | 10 | 50-0113 | 50-2109 | G50-5241 | | |
| 800 | 5 | 50-0114 | 50-2110 | | | |
| | 10 | 50-0115 | 50-2111 | | | |

Order list – secondary 5A

| Secondary current | | 5A | | | | |
|-------------------|--------|----------------|----------|----------|----------|----------|
| Primary current | Burden | Accuracy class | | | | |
| | | 1 | 0.5 | 0.5S | 0.2 | 0.2S |
| [A] | [VA] | Art.-no. | Art.-no. | Art.-no. | Art.-no. | Art.-no. |
| 1000 | 5 | 50-0116 | 50-2112 | G50-5242 | G50-5257 | G50-5267 |
| | 10 | 50-0117 | 50-2113 | G50-5243 | | |
| 1200 | 5 | 50-0291 | 50-2114 | | | |
| | 10 | 50-0292 | 50-2115 | | | |
| 1250 | 5 | 50-0118 | 50-2116 | | | |
| | 10 | 50-0119 | 50-2117 | | | |

Order list – secondary 1A

| Secondary current | | 1A | | | | |
|-------------------|--------|----------------|----------|----------|----------|----------|
| Primary current | Burden | Accuracy class | | | | |
| | | 1 | 0.5 | 0.5S | 0.2 | 0.2S |
| [A] | [VA] | Art.-no. | Art.-no. | Art.-no. | Art.-no. | Art.-no. |
| 100 | 1.25 | 50-0120 | | | | |
| | 1.5 | | G50-7201 | G50-7224 | | |
| 125 | 1.5 | | G50-7202 | G50-7225 | | |
| | 2.5 | 50-0121 | | | | |
| 150 | 2.5 | 50-0122 | G50-7203 | G50-7226 | | |
| 200 | 1.5 | | 50-2120 | G50-7227 | G50-7246 | |
| | 2.5 | | G50-7205 | G50-7228 | G50-7247 | |
| | 5 | 50-0123 | | | | |
| 250 | 1.5 | | G50-7206 | G50-7229 | G50-7248 | G50-7260 |
| | 2.5 | | 50-2121 | G50-7230 | G50-7249 | |
| | 5 | 50-0124 | G50-7208 | G50-7231 | | |
| 300 | 2.5 | | 50-2122 | G50-7232 | G50-7250 | G50-7261 |
| | 5 | 50-0125 | G50-7210 | G50-7233 | G50-7251 | |
| 400 | 2.5 | | G50-7211 | G50-7234 | G50-7252 | G50-7262 |
| | 5 | 50-0126 | 50-2123 | G50-7235 | | |
| | 10 | 50-0127 | | | | |
| 500 | 2.5 | | G50-7213 | G50-7236 | G50-7253 | G50-7263 |
| | 5 | 50-0128 | 50-2124 | G50-7237 | G50-7254 | G50-7264 |
| | 10 | 50-0129 | 50-2125 | | | |
| 600 | 2.5 | | G50-7216 | G50-7238 | G50-7255 | G50-7265 |
| | 5 | 50-0130 | 50-2126 | G50-7239 | G50-7256 | |
| | 10 | 50-0131 | 50-2127 | G50-7240 | | |
| 750 | 2.5 | | G50-7219 | G50-7241 | G50-7257 | G50-7266 |
| | 5 | 50-0132 | 50-2128 | G50-7242 | G50-7258 | |
| | 10 | 50-0133 | 50-2129 | G50-7243 | | |
| 800 | 5 | 50-0134 | 50-2130 | | | |
| | 10 | 50-0135 | 50-2131 | | | |
| 1000 | 5 | 50-0136 | 50-2132 | G50-7244 | G50-7259 | G50-7267 |
| | 10 | 50-0137 | 50-2133 | G50-7245 | | |
| 1200 | 5 | 50-0293 | 50-2134 | | | |
| | 10 | 50-0294 | 50-2135 | | | |
| 1250 | 5 | 50-0138 | 50-2136 | | | |
| | 10 | 50-0139 | 50-2137 | | | |

Accessories

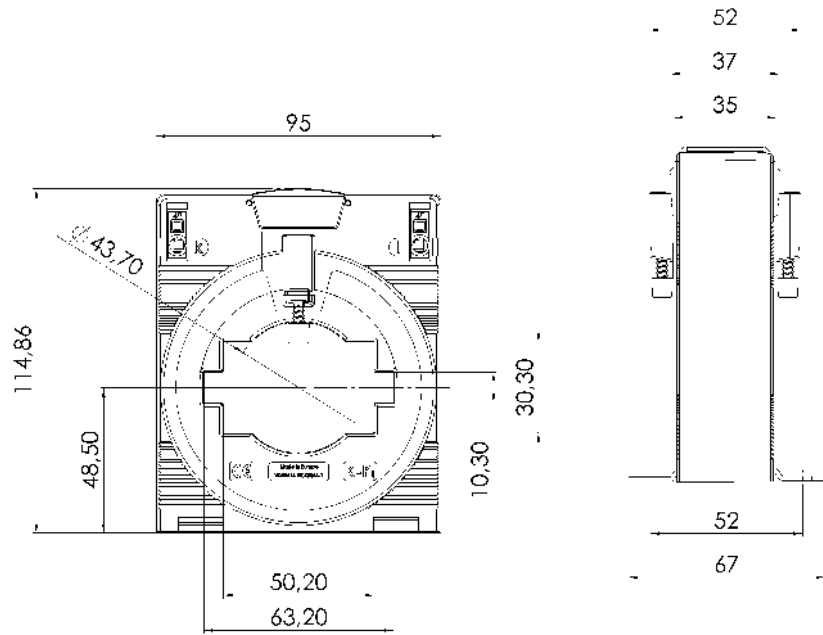
Quick-Fix (Art.-no.: 55021)



Sealed shutter (Art.-no.: 59058)



CTB 61.35 Plug-in current transformer



Dimension:

Primary conductor 1: 63 x 10 mm
 Primary conductor 2: 50 x 30 mm
 Round conductor: 43.7 mm
 Transformer width: 95 mm
 Transformer height: 114.86 mm
 Total depth: 52 mm

General technical specifications:

Thermal nominal continuous rated current I_{cth} : 1.2 x I_N
 Thermal nominal short-time current I_{th} : 60 x I_N , 1 sec.
 Maximum operating voltage U_m : 1.2 kV, U_{eff}
 Isolation test voltage: 6 kV, U_{eff} , 50 Hz, 1 Min.

Lightning impulse voltage: 12kV, 1,2/50 μ s

Rated frequency: 50 / 60 Hz

Applicable technical standards: DIN EN 61869, part 1 + 2

Order list – secondary 5A

| Secondary current | | 5A | | | | |
|-------------------|--------|----------------|----------|----------|----------|----------|
| Primary current | Burden | Accuracy class | | | | |
| | | 1 | 0.5 | 0.5S | 0.2 | 0.2S |
| [A] | [VA] | Art.-no. | Art.-no. | Art.-no. | Art.-no. | Art.-no. |
| 200 | 1.5 | | G50-5301 | G50-5326 | G50-5350 | |
| | 2.5 | 50-0150 | 50-2150 | | | |
| 250 | 1.5 | | G50-5303 | G50-5328 | G50-5352 | |
| | 2.5 | | 50-2151 | G50-5329 | G50-5353 | |
| | 5 | 50-0151 | G50-5305 | G50-5330 | | |
| 300 | 2.5 | | G50-5306 | G50-5331 | G50-5354 | G50-5365 |
| | 5 | 50-0152 | 50-2152 | G50-5332 | G50-5355 | |
| 400 | 2.5 | | G50-5308 | G50-5333 | G50-5356 | G50-5366 |
| | 5 | 50-0153 | 50-2153 | G50-5334 | G50-5357 | |
| 500 | 2.5 | | G50-5310 | G50-5335 | G50-5358 | G50-5367 |
| | 5 | 50-0154 | 50-2154 | G50-5336 | G50-5359 | G50-5368 |
| 600 | 2.5 | | G50-5312 | G50-5337 | G50-5360 | G50-5369 |
| | 5 | 50-0155 | 50-2155 | G50-5338 | G50-5361 | G50-5370 |
| 750 | 5 | 50-0156 | 50-2156 | G50-5339 | G50-5362 | G50-5371 |
| | 10 | 50-0157 | 50-2157 | G50-5340 | | |
| 800 | 5 | 50-0158 | 50-2158 | G50-5341 | G50-5363 | |
| | 10 | 50-0159 | 50-2159 | | | |
| 1000 | 5 | 50-0160 | 50-2160 | G50-5342 | G50-5364 | |
| | 10 | 50-0161 | 50-2161 | G50-5343 | | |
| 1200 | 5 | 50-0287 | 50-2162 | G50-5344 | | |
| | 10 | 50-0288 | 50-2163 | G50-5345 | | |

Order list – secondary 5A

| Secondary current | | 5A | | | | |
|-------------------|--------|----------------|----------|----------|----------|----------|
| Primary current | Burden | Accuracy class | | | | |
| | | 1 | 0.5 | 0.5S | 0.2 | 0.2S |
| [A] | [VA] | Art.-no. | Art.-no. | Art.-no. | Art.-no. | Art.-no. |
| 1250 | 5 | 50-0162 | 50-2164 | G50-5346 | | |
| | 10 | 50-0163 | 50-2165 | G50-5347 | | |
| 1500 | 5 | 50-0164 | 50-2166 | G50-5348 | | |
| | 10 | 50-0165 | 50-2167 | G50-5349 | | |
| 1600 | 5 | 50-0166 | 50-2168 | | | |
| | 10 | 50-0167 | 50-2169 | | | |

Order list – secondary 1A

| Secondary current | | 1A | | | | |
|-------------------|--------|----------------|----------|----------|----------|----------|
| Primary current | Burden | Accuracy class | | | | |
| | | 1 | 0.5 | 0.5S | 0.2 | 0.2S |
| [A] | [VA] | Art.-no. | Art.-no. | Art.-no. | Art.-no. | Art.-no. |
| 200 | 1.5 | | G50-7301 | G50-7326 | G50-7351 | |
| | 2.5 | 50-0170 | 50-2170 | G50-7327 | G50-7352 | |
| 250 | 1.5 | | G50-7303 | G50-7328 | G50-7353 | G50-7373 |
| | 2.5 | | 50-2171 | G50-7329 | G50-7354 | |
| | 5 | 50-0171 | G50-7305 | G50-7330 | | |
| 300 | 2.5 | | G50-7306 | G50-7331 | G50-7355 | G50-7374 |
| | 5 | 50-0172 | 50-2172 | G50-7332 | G50-7356 | |
| 400 | 2.5 | | G50-7308 | G50-7333 | G50-7357 | G50-7375 |
| | 5 | 50-0153 | 50-2173 | G50-7334 | G50-7358 | |
| 500 | 2.5 | | G50-7310 | G50-7335 | G50-7359 | G50-7376 |
| | 5 | 50-0173 | 50-2174 | G50-7336 | G50-7360 | G50-7377 |
| 600 | 2.5 | | G50-7312 | G50-7337 | G50-7361 | G50-7378 |
| | 5 | 50-0175 | 50-2175 | G50-7338 | G50-7362 | G50-7379 |
| 750 | 5 | 50-0176 | 50-2176 | G50-7339 | G50-7363 | G50-7380 |
| | 10 | 50-0177 | 50-2177 | G50-7340 | | |
| 800 | 5 | 50-0178 | 50-2178 | G50-7341 | G50-7364 | |
| | 10 | 50-0179 | 50-2179 | G50-7342 | | |
| 1000 | 5 | 50-0180 | 50-2180 | G50-7343 | G50-7365 | |
| | 10 | 50-0181 | 50-2181 | G50-7344 | G50-7366 | |
| 1200 | 5 | 50-0289 | 50-2182 | G50-7345 | G50-7367 | |
| | 10 | 50-0290 | 50-2183 | G50-7346 | G50-7368 | |
| 1250 | 5 | 50-0182 | 50-2184 | G50-7347 | G50-7369 | |
| | 10 | 50-0183 | 50-2185 | G50-7348 | G50-7370 | |
| 1500 | 5 | 50-0184 | 50-2186 | G50-7349 | G50-7371 | |
| | 10 | 50-0185 | 50-2187 | G50-7350 | G50-7372 | |
| 1600 | 5 | 50-0186 | 50-2188 | | | |
| | 10 | 50-0187 | 50-2189 | | | |

Accessories

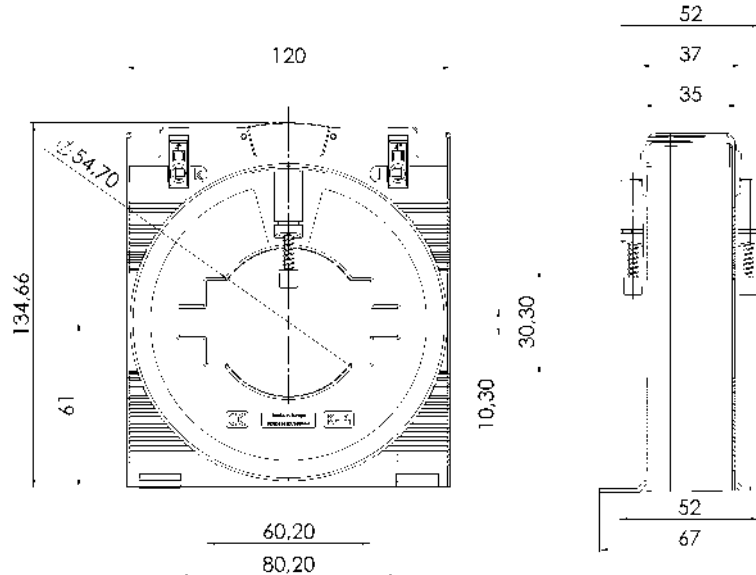
Quick-Fix (Art.-no.: 55021)



Sealed shutter (Art.-no.: 59059)



CTB 81.35 Plug-in current transformer



Dimension:

Primary conductor 1: 80 x 10 mm
 Primary conductor 2: 60 x 30 mm
 Round conductor: 54.7 mm
 Transformer width: 120 mm
 Transformer height: 134.66 mm
 Total depth: 52 mm

General technical specifications:

Thermal nominal continuous rated current I_{cth} : $1.2 \times I_N$
 Thermal nominal short-time current I_{th} : $60 \times I_N$, 1 sec.
 Maximum operating voltage U_m : 1.2 kV, U_{eff}
 Isolation test voltage: 6 kV, U_{eff} , 50 Hz, 1 Min.
Lightning impulse voltage: 12kV, 1,2/50 μ s
 Rated frequency: 50 / 60 Hz
 Applicable technical standards: DIN EN 61869, part 1 + 2

Order list – secondary 5A

| Secondary current | | 5A | | | | |
|-------------------|--------|----------------|----------|----------|----------|----------|
| Primary current | Burden | Accuracy class | | | | |
| | | 1 | 0.5 | 0.5S | 0.2 | 0.2S |
| [A] | [VA] | Art.-no. | Art.-no. | Art.-no. | Art.-no. | Art.-no. |
| 400 | 2.5 | | 50-2190 | G50-5430 | G50-5457 | |
| | 5 | 50-0190 | | | | |
| 500 | 2.5 | | 50-2191 | G50-5431 | G50-5458 | G50-5482 |
| | 5 | 50-0191 | G50-5403 | | | |
| 600 | 2.5 | | G50-5404 | G50-5432 | G50-5459 | G50-5483 |
| | 5 | 50-0192 | 50-2192 | G50-5433 | G50-5460 | G50-5484 |
| 750 | 2.5 | | G50-5406 | G50-5434 | G50-5461 | G50-5485 |
| | 5 | 50-0193 | 50-2193 | G50-5435 | G50-5462 | G50-5486 |
| | 10 | 50-0194 | 50-2194 | | | |
| 800 | 2.5 | | G50-5409 | G50-5436 | G50-5463 | G50-5487 |
| | 5 | 50-0195 | 50-2195 | G50-5437 | G50-5464 | G50-5488 |
| | 10 | 50-0196 | 50-2196 | G50-5438 | | |
| 1000 | 5 | 50-0197 | 50-2197 | G50-5439 | G50-5465 | G50-5489 |
| | 10 | 50-0198 | 50-2198 | G50-5440 | G50-5466 | |
| | 15 | | G50-5414 | G50-5441 | | |
| 1200 | 5 | 50-0283 | 50-2199 | G50-5442 | G50-5467 | G50-5490 |
| | 10 | 50-0284 | 50-2200 | G50-5443 | G50-5468 | |
| | 15 | | G50-5417 | G50-5444 | G50-5469 | |
| 1250 | 5 | 50-0199 | 50-2201 | G50-5445 | G50-5470 | G50-5491 |
| | 10 | 50-0200 | 50-2202 | G50-5446 | G50-5471 | |
| | 15 | | G50-5420 | G50-5447 | G50-5472 | |

Order list – secondary 5A

| Secondary current | | 5A | | | | |
|-------------------|--------|----------------|----------|----------|----------|----------|
| Primary current | Burden | Accuracy class | | | | |
| | | 1 | 0.5 | 0.5S | 0.2 | 0.2S |
| [A] | [VA] | Art.-no. | Art.-no. | Art.-no. | Art.-no. | Art.-no. |
| 1500 | 5 | 50-0201 | 50-2203 | G50-5448 | G50-5473 | G50-5492 |
| | 10 | 50-0202 | 50-2204 | G50-5449 | G50-5474 | |
| | 15 | | G50-5423 | G50-5450 | G50-5475 | |
| 1600 | 5 | 50-0203 | 50-2205 | G50-5451 | G50-5476 | G50-5493 |
| | 10 | 50-0204 | 50-2206 | G50-5452 | G50-5477 | G50-5494 |
| | 15 | | G50-5426 | G50-5453 | G50-5478 | |
| 2000 | 5 | | G50-5427 | G50-5454 | G50-5479 | G50-5495 |
| | 10 | 50-0205 | 50-2207 | G50-5455 | G50-5480 | G50-5496 |
| | 15 | 50-0206 | 50-2208 | G50-5456 | G50-5481 | |

Order list – secondary 1A

| Secondary current | | 1A | | | | |
|-------------------|--------|----------------|----------|----------|----------|----------|
| Primary current | Burden | Accuracy class | | | | |
| | | 1 | 0.5 | 0.5S | 0.2 | 0.2S |
| [A] | [VA] | Art.-no. | Art.-no. | Art.-no. | Art.-no. | Art.-no. |
| 400 | 2.5 | | 50-2210 | G50-7430 | G50-7459 | |
| | 5 | 50-0210 | | | | |
| 500 | 2.5 | | G50-7402 | G50-7431 | G50-7460 | G50-7484 |
| | 5 | 50-0211 | 50-2211 | G50-7432 | | |
| 600 | 2.5 | | G50-7404 | G50-7433 | G50-7461 | G50-7485 |
| | 5 | 50-0212 | 50-2212 | G50-7434 | G50-7462 | G50-7486 |
| 750 | 2.5 | | G50-7406 | G50-7435 | G50-7463 | G50-7487 |
| | 5 | 50-0213 | 50-2213 | G50-7436 | G50-7464 | G50-7488 |
| | 10 | 50-0214 | 50-2214 | G50-7437 | | |
| 800 | 2.5 | | G50-7409 | G50-7438 | G50-7465 | G50-7489 |
| | 5 | 50-0215 | 50-2215 | G50-7439 | G50-7466 | G50-7490 |
| | 10 | 50-0216 | 50-2216 | G50-7440 | | |
| 1000 | 5 | 50-0217 | 50-2217 | G50-7441 | G50-7467 | G50-7491 |
| | 10 | 50-0218 | 50-2218 | G50-7442 | G50-7468 | |
| | 15 | | G50-7414 | G50-7443 | | |
| 1200 | 5 | 50-0285 | 50-2219 | G50-7444 | G50-7469 | G50-7492 |
| | 10 | 50-0286 | 50-2220 | G50-7445 | G50-7470 | G50-7493 |
| | 15 | | G50-7417 | G50-7446 | G50-7471 | |
| 1250 | 5 | 50-0219 | 50-2221 | G50-7447 | G50-7472 | G50-7494 |
| | 10 | 50-0220 | 50-2222 | G50-7448 | G50-7473 | G50-7495 |
| | 15 | | G50-7420 | G50-7449 | G50-7474 | |
| 1500 | 5 | 50-0221 | 50-2223 | G50-7450 | G50-7475 | G50-7496 |
| | 10 | 50-0222 | 50-2224 | G50-7451 | G50-7476 | G50-7497 |
| | 15 | | G50-7423 | G50-7452 | G50-7477 | |
| 1600 | 5 | 50-0223 | 50-2225 | G50-7453 | G50-7478 | G50-7498 |
| | 10 | 50-0224 | 50-2226 | G50-7454 | G50-7479 | G50-7499 |
| | 15 | | G50-7426 | G50-7455 | G50-7480 | |
| 2000 | 5 | | G50-7427 | G50-7456 | G50-7481 | G50-7500 |
| | 10 | 50-0225 | 50-2227 | G50-7457 | G50-7482 | G50-7501 |
| | 15 | 50-0226 | 50-2228 | G50-7458 | G50-7483 | |

Accessories

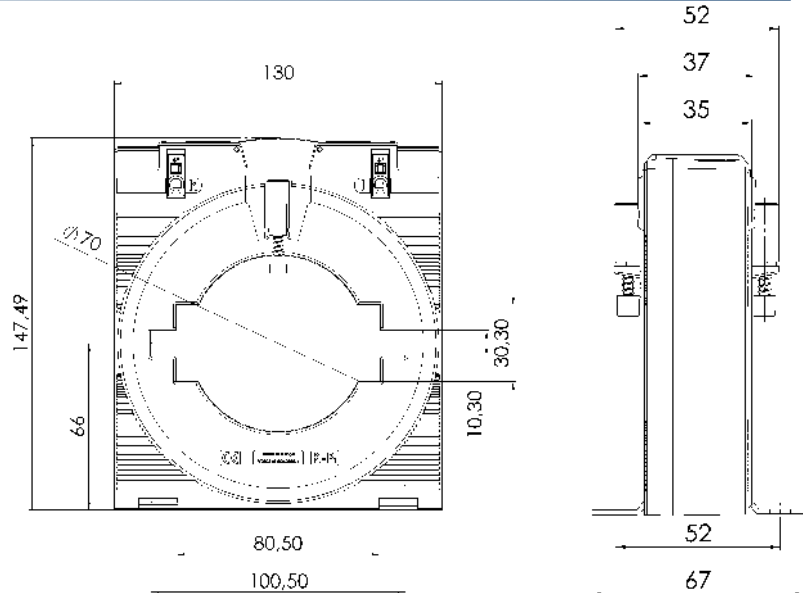
Quick-Fix (Art.-no.: 55021)



Sealed shutter
(Art.-no.: 59059)



CTB 101.35 Plug-in current transformer



Dimension:

Primary conductor 1: 100 x 10 mm
 Primary conductor 2: 80 x 30 mm
 Round conductor: 70 mm
 Transformer width: 130 mm
 Transformer height: 147.49 mm
 Total depth: 52 mm

General technical specifications:

Thermal nominal continuous rated current I_{cth} : $1.2 \times I_N$
 Thermal nominal short-time current I_{th} : $60 \times I_N$, 1 sec.
 Maximum operating voltage U_m : 1.2 kV, U_{eff}
 Isolation test voltage: 6 kV, U_{eff} , 50 Hz, 1 Min.

Lightning impulse voltage: 12kV, 1,2/50 μ s

Rated frequency: 50 / 60 Hz

Applicable technical standards: DIN EN 61869, part 1 + 2

Order list – secondary 5A

| Secondary current | | 5A | | | | |
|-------------------|--------|----------------|----------|----------|----------|----------|
| Primary current | Burden | Accuracy class | | | | |
| | | 1 | 0.5 | 0.5S | 0.2 | 0.2S |
| [A] | [VA] | Art.-no. | Art.-no. | Art.-no. | Art.-no. | Art.-no. |
| 400 | 2.5 | | 50-2230 | | | |
| | 5 | 50-0230 | | | | |
| 500 | 2.5 | | G50-5602 | | | |
| | 5 | 50-0231 | 50-2231 | | | |
| 600 | 2.5 | | G50-5603 | G50-5629 | | |
| | 5 | | 50-2232 | | | |
| | 10 | 50-0232 | | | | |
| 750 | 2.5 | | G50-5605 | G50-5630 | | |
| | 5 | 50-0233 | 50-2233 | G50-5631 | | |
| | 10 | 50-0234 | 50-2234 | | | |
| 800 | 2.5 | | G50-5608 | G50-5632 | | |
| | 5 | 50-0235 | 50-2235 | G50-5633 | | |
| | 10 | 50-0236 | 50-2236 | | | |
| 1000 | 5 | 50-0237 | 50-2237 | G50-5634 | G50-5651 | |
| | 10 | 50-0238 | 50-2238 | G50-5635 | | |
| | 15 | | G50-5613 | | | |
| 1200 | 5 | 50-0279 | 50-2239 | G50-5636 | G50-5652 | G50-5665 |
| | 10 | 50-0280 | 50-2240 | G50-5637 | G50-5653 | |
| | 15 | | G50-5616 | G50-5638 | | |
| 1250 | 5 | 50-0239 | 50-2241 | G50-5639 | G50-5654 | G50-5666 |
| | 10 | 50-0240 | 50-2242 | G50-5640 | G50-5655 | |
| | 15 | | G50-5619 | G50-5641 | | |
| 1500 | 5 | | G50-5620 | G50-5642 | G50-5656 | G50-5667 |
| | 10 | 50-0241 | 50-2243 | G50-5643 | G50-5657 | |
| | 15 | 50-0242 | 50-2244 | G50-5644 | G50-5658 | |

Order list – secondary 5A

| Secondary current | | 5A | | | | |
|-------------------|--------|----------------|----------|----------|----------|----------|
| Primary current | Burden | Accuracy class | | | | |
| | | 1 | 0.5 | 0.5S | 0.2 | 0.2S |
| [A] | [VA] | Art.-no. | Art.-no. | Art.-no. | Art.-no. | Art.-no. |
| 1600 | 5 | | G50-5623 | G50-5645 | G50-5659 | G50-5668 |
| | 10 | 50-0243 | 50-2245 | G50-5646 | G50-5660 | G50-5669 |
| | 15 | 50-0244 | 50-2246 | G50-5647 | G50-5661 | |
| 2000 | 5 | | G50-5626 | G50-5648 | G50-5662 | G50-5670 |
| | 10 | 50-0245 | 50-2247 | G50-5649 | G50-5663 | G50-5671 |
| | 15 | 50-0246 | 50-2248 | G50-5650 | G50-5664 | |
| 2500 | 10 | 50-0247 | 50-2249 | | | |
| | 15 | 50-0248 | 50-2250 | | | |

Order list – secondary 1A

| Secondary current | | 1A | | | | |
|-------------------|--------|----------------|----------|----------|----------|----------|
| Primary current | Burden | Accuracy class | | | | |
| | | 1 | 0.5 | 0.5S | 0.2 | 0.2S |
| [A] | [VA] | Art.-no. | Art.-no. | Art.-no. | Art.-no. | Art.-no. |
| 400 | 2.5 | | 50-2260 | | | |
| | 5 | 50-0260 | | | | |
| 500 | 2.5 | | G50-7602 | G50-7629 | | |
| | 5 | 50-0261 | 50-2261 | | | |
| 600 | 2.5 | | G50-7603 | G50-7630 | | |
| | 5 | | 50-2262 | G50-7631 | | |
| | 10 | 50-0262 | | | | |
| 750 | 2.5 | | G50-7605 | G50-7632 | | |
| | 5 | 50-0263 | 50-2263 | G50-7633 | | |
| | 10 | 50-0264 | 50-2264 | G50-7634 | | |
| 800 | 2.5 | | G50-7608 | G50-7635 | G50-7656 | |
| | 5 | 50-0265 | 50-2265 | G50-7636 | | |
| | 10 | 50-0266 | 50-2266 | G50-7637 | | |
| 1000 | 5 | 50-0267 | 50-2267 | G50-7638 | G50-7657 | G50-7671 |
| | 10 | 50-0268 | 50-2268 | G50-7639 | | |
| | 15 | | G50-7613 | G50-7640 | | |
| 1200 | 5 | 50-0281 | 50-2269 | G50-7641 | G50-7658 | G50-7672 |
| | 10 | 50-0282 | 50-2270 | G50-7642 | G50-7659 | |
| | 15 | | G50-7616 | G50-7643 | | |
| 1250 | 5 | 50-0269 | 50-2271 | G50-7644 | G50-7660 | G50-7673 |
| | 10 | 50-0270 | 50-2272 | G50-7645 | G50-7661 | |
| | 15 | | G50-7619 | G50-7646 | | |
| 1500 | 5 | | G50-7620 | G50-7647 | G50-7662 | G50-7674 |
| | 10 | 50-0271 | 50-2273 | G50-7648 | G50-7663 | |
| | 15 | 50-0272 | 50-2274 | G50-7649 | G50-7664 | |
| 1600 | 5 | | G50-7623 | G50-7650 | G50-7665 | G50-7675 |
| | 10 | 50-0273 | 50-2275 | G50-7651 | G50-7666 | G50-7676 |
| | 15 | 50-0274 | 50-2276 | G50-7652 | G50-7667 | |
| 2000 | 5 | | G50-7626 | G50-7653 | G50-7668 | G50-7677 |
| | 10 | 50-0275 | 50-2277 | G50-7654 | G50-7669 | G50-7678 |
| | 15 | 50-0276 | 50-2278 | G50-7655 | G50-7670 | |
| 2500 | 10 | 50-0277 | 50-2279 | | | |
| | 15 | 50-0278 | 50-2280 | | | |

Accessories

Quick-Fix (Art.-no.: 55021)



Sealed shutter (Art.-no.: 59059)





- Current transformers for industry
- Current transformers for tariff
- Accessories for current transformers
- Medium-voltage CTs
- Bus bar insulators / -supports
- Shunts
- Voltage transformers
- All current sensors
- Measuring transducers
- Energy meters with or without MID approval
- Accessories for energy meters
- Panel board heaters, filter fans, roof fans and control units



www.mbs-ag.com



MBS AG
 Eisbachstraße 51 • 74429 Sulzbach-Laufen • Germany
 Telefon: +49 7976 9851-0 • Telefax: +49 7976 9851-90
info@mbs-ag.com • www.mbs-ag.com

Plug-in current transformer with „Cage Clamp®“,
UL certificated



First CT series in the low-voltage with lightning impulse 12 kV / 1,2/50 μ s



www.mbs-ag.com



Certificate of Compliance

Certificate Number 20100426-E336996
 Report Reference E336996, 2010 April 23
 Issue Date 2010 April 26

Page 1 of 1



Issued to: **MBSAG**
 Eisbachstr 51
 Sulzbach-Laufen, 74429
 Germany

This is to certify that representative samples of **INSTRUMENT TRANSFORMERS**
 Series CTB

Have been investigated by Underwriters Laboratories in accordance with the Standard(s) indicated on this Certificate.

Standard(s) for Safety: **IEEE C57.13-1993**
CSA CAN3-C13-M83

Additional Information: See **UL On-line Certification Directory** at www.ul.com for additional information.

Only those products bearing the UL Recognized Component Marks for the U.S. and Canada should be considered as being covered by UL's Recognition and Follow-Up Service and meeting the appropriate U.S. and Canadian requirements.

The UL Recognized Component Mark for the U.S. generally consists of the manufacturer's identification and catalog number, model number or other product designation as specified under "Marking" for the particular Recognition as published in the appropriate UL Directory. As a supplementary means of identifying products that have been produced under UL's Component Recognition Program, UL's Recognized Component Mark **RA** may be used in conjunction with the required Recognized Marks. The Recognized Component Mark is required when specified in the UL Directory preceding the recognitions or under "Markings" for the individual recognitions. The UL Recognized Component Mark for Canada consists of the UL Recognized Mark for Canada **RC** and the manufacturer's identification and catalog number, model number or other product designation as specified under "Marking" for the particular Recognition as published in the appropriate UL Directory.

Look for the UL Recognized Component Mark on the product

William R. Carney
 Director, North American Certification Programs
 Underwriters Laboratories Inc.
 Any information and documentation involving UL Mark services are provided on behalf of Underwriters Laboratories Inc. (UL) or any authorized licensee of UL.
 For questions, please contact a local UL Customer Service Representative at <http://www.ul.com/global/eng/pages/corporate/contactus/>



CERTIFICATE

The Certification Body
 of TÜV SÜD Management Service GmbH
 certifies that



MBS AG

Eisbachstraße 51, D-74429 Sulzbach-Laufen

has established and applies
 a Quality Management System for

Development, production and sales of measuring transducers, energy meters, bus bar insulators/ holders, Low voltage current transformers series 0.5- split core current transformers, verification/ certification of electrical measuring instruments within the scope of the Official Testing Laboratory for Measuring Instruments.

An audit was performed, Report No. **70003062**
 Proof has been furnished that the requirements
 according to

ISO 9001:2008

are fulfilled. The certificate is valid until **2012-03-19**
 Certificate Registration No. **12 100 20346 TMS**

Munich, 2010-06-11



GMS-TGA-ZM-07-92

TÜV SÜD Management Service GmbH • Zertifizierstelle • Ridlerstraße 65 • 80339 München • Germany

TUV®

ZERTIFIKAT ◆ CERTIFICATE ◆ ЗЕРТИФИКАТ

MBS AG

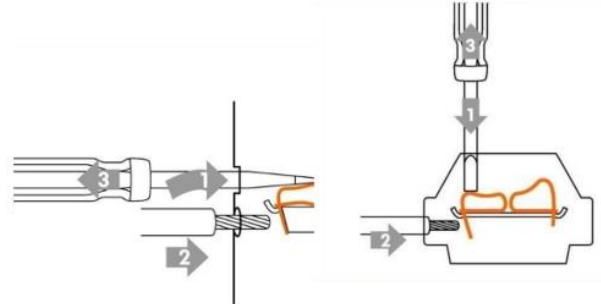
Eisbachstraße 51 · 74429 Sulzbach-Laufen
 Germany

Telefon: +49 7976 9851-0 · Telefax: +49 7976 9851-90
 E-Mail: info@mbs-ag.com · Web: www.mbs-ag.com

Plug-in current transformer with screwless connection technology „Cage Clamp®“, UL certificated



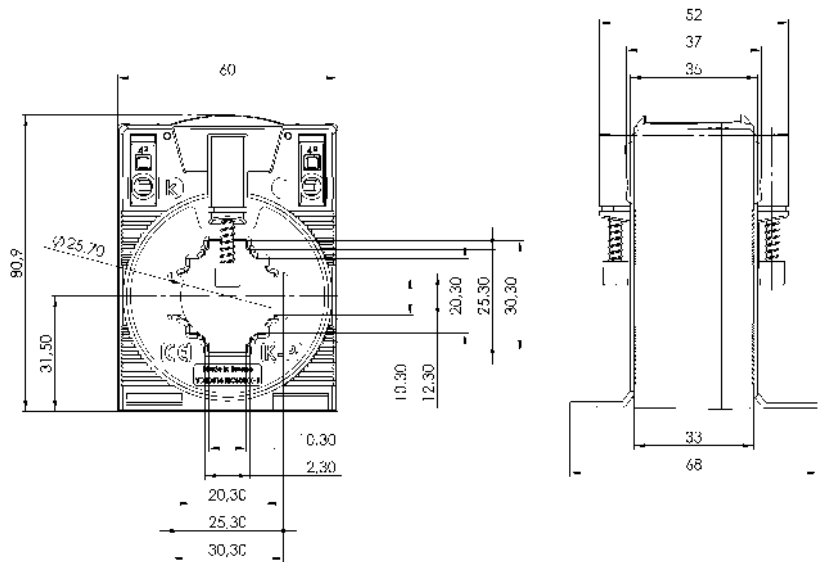
Screwless connection technology „Cage Clamp®“ (In front or on top)



Further information:

- World's first CT with screwless connection technology for the secondary caps – „Cage Clamp®“
- **UL certification.** Certificate no.: 20100426-E336996
- Innovative time-saving connection of either solid or flexible terminals not exceeding 4 mm² to be fitted either on the top or bottom or in the center without ferrules.
- Vibration and shock resistant
- Maintenance free gas-tight connection
- High current carrying capacity
- Low voltage CT for maximum operating voltage to 1.2 kV. Use in 690 V networks possible
- Isolation test voltage: 6 kV, U_{eff.}, 50 Hz, 1 min.
- **Higher isolation level 1.2/6/12 kV – Tested lightning impulse voltage for 690 V switchgear according IEC 61439-1 und -2!**
- Primary nominal current ranges from 50 A up to 2500 A
- Accuracy classes 3; 1; 0,5; 0,5S, 0,2 und 0,2S
- Can be overloaded continuously with 120 % of the primary rated current
- Suitable for nominal frequencies of 50 Hz or 60 Hz
- Over-current limiting factor: See rating plate
- Isolation class: E
- Operating temperature in the range -5°C to 50°C
- Storage temperature in the range -25°C to 70°C
- Unbreakable plastic housing of grey polycarbonate, self-extinguishing, UL94-V0 and flame resistant
- Packaging unit: 1 pc.
- Customs tariff number: 85043129

CTB 31.35 Plug-in current transformer



Dimension:

- Bus bar 1: 30 x 10 mm
- Bus bar 2: 25 x 12 mm
- Bus bar 3: 20 x 20 mm
- Round conductor: 25.7 mm
- Transformer width: 60 mm
- Transformer height: 80.9 mm
- Total depth: 52 mm

General technical specifications:

- Thermal nominal continuous rated current I_{cth} : 1.2 x I_N
- Thermal nominal short-time current I_{th} : 60 x I_N , 1 sec.
- Maximum operating voltage U_m : 1.2 kV, U_{eff}
- Isolation test voltage: 6 kV, U_{eff} , 50 Hz, 1 Min.
- Lightning impulse voltage: 12kV, 1,2/50 μ s**
- Rated frequency: 50 / 60 Hz
- Applicable technical standards: DIN EN 61869, part 1 + 2

Order list – secondary 5A

| Secondary current | | 5A | | | | | |
|-------------------|--------|----------------|----------|----------|----------|----------|----------|
| Primary current | Burden | Accuracy class | | | | | |
| | | 3 | 1 | 0.5 | 0.5S | 0.2 | 0.2S |
| [A] | [VA] | Art.-no. | Art.-no. | Art.-no. | Art.-no. | Art.-no. | Art.-no. |
| 50 | 1.25 | 50-0001 | | | | | |
| 60 | 1.25 | | 50-0017 | | | | |
| 75 | 2.5 | | 50-0018 | | | | |
| 80 | 2.5 | | 50-0019 | | | | |
| 100 | 1.5 | | | G50-5001 | G50-5024 | G50-5046 | |
| | 2.5 | | 50-0002 | G50-5002 | G50-5025 | | |
| 125 | 1.5 | | | 50-2001 | G50-5027 | | |
| | 2.5 | | 50-0003 | G50-5004 | G50-5028 | | |
| 150 | 1.5 | | | | G50-5029 | G50-5049 | G50-5065 |
| | 2.5 | | | 50-2002 | G50-5030 | | |
| | 5 | | 50-0004 | | | | |
| 200 | 1.5 | | | | G50-5031 | G50-5050 | G50-5066 |
| | 2.5 | | | 50-2003 | G50-5032 | G50-5051 | |
| | 5 | | 50-0005 | G50-5010 | G50-5033 | | |
| 250 | 2.5 | | | G50-5011 | G50-5034 | G50-5052 | G50-5067 |
| | 5 | | 50-0006 | 50-2004 | G50-5035 | G50-5053 | |
| 300 | 5 | | 50-0007 | 50-2005 | G50-5037 | G50-5035 | G50-5067 |
| | 10 | | 50-0008 | | | | |
| 400 | 5 | | 50-0009 | 50-2006 | G50-5038 | G50-5056 | G50-5070 |
| | 10 | | 50-0010 | 50-2007 | | | |
| 500 | 5 | | 50-0011 | 50-2008 | G50-5040 | G50-5058 | G50-5072 |
| | 10 | | 50-0012 | 50-2009 | G50-5041 | | |
| 600 | 5 | | 50-0013 | 50-2010 | G50-5042 | G50-5059 | G50-5073 |
| | 10 | | 50-0014 | 50-2011 | G50-5043 | G50-5060 | |
| 750 | 5 | | 50-0015 | 50-2012 | G50-5044 | G50-5061 | G50-5074 |
| | 10 | | 50-0016 | 50-2013 | G50-5045 | G50-5062 | G50-5075 |

Order list – secondary 1A

| Secondary current | | 1A | | | | | |
|-------------------|--------|----------------|----------|----------|----------|----------|----------|
| Primary current | Burden | Accuracy class | | | | | |
| | | 3 | 1 | 0.5 | 0.5S | 0.2 | 0.2S |
| [A] | [VA] | Art.-no. | Art.-no. | Art.-no. | Art.-no. | Art.-no. | Art.-no. |
| 50 | 1.25 | 50-0021 | | | | | |
| 60 | 1.25 | | 50-0037 | | | | |
| 75 | 2.5 | | 50-0038 | | | | |
| 80 | 2.5 | | 50-0039 | | | | |
| 100 | 1.5 | | | G50-7001 | G50-7024 | G50-7046 | |
| | 2.5 | | 50-0022 | G50-7002 | G50-7025 | | |
| 125 | 1 | | | G50-7003 | G50-7026 | G50-7047 | G50-7061 |
| | 1.5 | | | 50-2021 | G50-7027 | G50-7048 | |
| | 2.5 | | 50-0023 | G50-7005 | G50-7028 | | |
| 150 | 1.5 | | | G50-7006 | G50-7029 | G50-7049 | G50-7062 |
| | 2.5 | | | 50-2022 | G50-7030 | | |
| | 5 | | 50-0024 | | | | |
| 200 | 1.5 | | | G50-7008 | G50-7031 | G50-7050 | G50-7063 |
| | 2.5 | | | 50-2023 | G50-7032 | G50-7051 | G50-7064 |
| | 5 | | 50-0025 | G50-7010 | G50-7033 | | |
| 250 | 2.5 | | | G50-7011 | G50-7034 | G50-7052 | G50-7065 |
| | 5 | | 50-0026 | 50-2024 | G50-7035 | | |
| 300 | 2.5 | | | | G50-7036 | G50-7053 | G50-7066 |
| | 5 | | 50-0027 | 50-2025 | G50-7037 | G50-7054 | |
| | 10 | | 50-0028 | | | | |
| 400 | 5 | | 50-0029 | 50-2026 | G50-7038 | G50-7055 | G50-7067 |
| | 10 | | 50-0030 | 50-2027 | | | |
| 500 | 2.5 | | | | G50-7039 | G50-7056 | G50-7068 |
| | 5 | | 50-0031 | 50-2028 | G50-7040 | G50-7057 | |
| | 10 | | 50-0032 | 50-2029 | G50-7041 | | |
| 600 | 5 | | 50-0033 | 50-2030 | G50-7042 | G50-7058 | G50-7069 |
| | 10 | | 50-0034 | 50-2031 | G50-7043 | | |
| 750 | 5 | | 50-0035 | 50-2032 | G50-7044 | G50-7059 | G50-7070 |
| | 10 | | 50-0036 | 50-2033 | G50-7045 | G50-7060 | G50-7071 |

Accessories

Quick-Fix (Art.-no.: 55021)



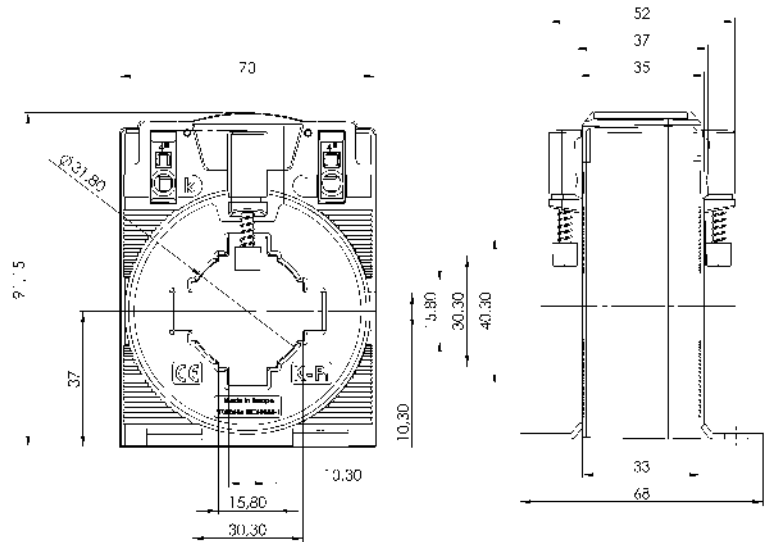
Sealed shutter (Art.-no.: 59057)



Snap-on mounting to clip the current transformer onto 35 mm DIN rail (Art.-no. 55015)



CTB 41.35 Plug-in current transformer



Dimension:

Primary conductor 1: 40 x 10 mm
 Primary conductor 2: 30 x 15 mm
 Round conductor: 31.8 mm
 Transformer width: 70 mm
 Transformer height: 91.5 mm
 Total depth: 52 mm

General technical specifications:

Thermal nominal continuous rated current I_{cth} : $1.2 \times I_N$
 Thermal nominal short-time current I_{th} : $60 \times I_N$, 1 sec.
 Maximum operating voltage U_m : 1.2 kV, U_{eff}
 Isolation test voltage: 6 kV, U_{eff} , 50 Hz, 1 Min.

Lightning impulse voltage: 12kV, 1,2/50 μ s

Rated frequency: 50 / 60 Hz

Applicable technical standards: DIN EN 61869, part 1 + 2

Order list – secondary 5A

| Secondary current | | 5A | | | | | |
|-------------------|--------|----------------|----------|----------|----------|----------|----------|
| Primary current | Burden | Accuracy class | | | | | |
| | | 3 | 1 | 0.5 | 0.5S | 0.2 | 0.2S |
| [A] | [VA] | Art.-no. | Art.-no. | Art.-no. | Art.-no. | Art.-no. | Art.-no. |
| 75 | 1.25 | 50-0050 | | | | | |
| 80 | 1.25 | 50-0051 | | | | | |
| 100 | 2.5 | 50-0052 | | | | | |
| 125 | 2.5 | | 50-0053 | | | | |
| 150 | 2.5 | | 50-0054 | | | | |
| 200 | 1.5 | | | 50-2050 | G50-5116 | | |
| | 2.5 | | | G50-5102 | | | |
| | 5 | | 50-0055 | | | | |
| 250 | 2.5 | | | 50-2051 | G50-5117 | | |
| | 5 | | 50-0056 | | | | |
| 300 | 2.5 | | | 50-2052 | G50-5118 | | |
| | 5 | | 50-0057 | G50-5105 | | | |
| 400 | 5 | | 50-0058 | 50-2053 | G50-5119 | | |
| 500 | 2.5 | | | G50-5107 | G50-5120 | G50-5128 | |
| | 5 | | 50-0059 | 50-2054 | G50-5121 | | |
| | 10 | | 50-0060 | G50-5109 | | | |
| 600 | 2.5 | | | G50-5110 | G50-5129 | G50-5129 | G50-5134 |
| | 5 | | 50-0061 | 50-2055 | G50-5130 | G50-5130 | |
| | 10 | | 50-0062 | 50-2056 | | | |
| 750 | 2.5 | | | G50-5113 | G50-5131 | G50-5131 | G50-5135 |
| | 5 | | 50-0063 | 50-2057 | G50-5132 | G50-5132 | G50-5136 |
| | 10 | | 50-0064 | 50-2058 | G50-5133 | G50-5133 | |
| 800 | 5 | | 50-0065 | 50-2059 | | | |
| | 10 | | 50-0066 | 50-2060 | | | |
| 1000 | 5 | | 50-0067 | 50-2061 | | | |
| | 10 | | 50-0068 | 50-2062 | | | |

MBS AG

Eisbachstraße 51 · 74429 Sulzbach-Laufen
 Germany

Telefon: +49 7976 9851-0 · Telefax: +49 7976 9851-90
 E-Mail: info@mbs-ag.com · Web: www.mbs-ag.com

Order list – secondary 1A

| Secondary current | | 1A | | | | | |
|-------------------|--------|----------------|----------|----------|----------|----------|----------|
| Primary current | Burden | Accuracy class | | | | | |
| | | 3 | 1 | 0.5 | 0.5S | 0.2 | 0.2S |
| [A] | [VA] | Art.-no. | Art.-no. | Art.-no. | Art.-no. | Art.-no. | Art.-no. |
| 75 | 1.25 | 50-0070 | | | | | |
| 80 | 1.25 | 50-0071 | | | | | |
| 100 | 2.5 | 50-0072 | | | | | |
| 125 | 2.5 | | 50-0073 | | | | |
| 150 | 2.5 | | 50-0074 | | | | |
| 200 | 1.5 | | | 50-2070 | G50-7115 | | |
| | 2.5 | | | G50-7102 | | | |
| | 5 | | 50-0075 | | | | |
| 250 | 2.5 | | | 50-2071 | G50-7116 | | |
| | 5 | | 50-0076 | | | | |
| 300 | 2.5 | | | 50-2072 | G50-7117 | | |
| | 5 | | 50-0077 | G50-7105 | | | |
| 400 | 5 | | 50-0078 | 50-2073 | G50-7118 | | |
| | 2.5 | | | G50-7107 | G50-7119 | G50-7126 | |
| 500 | 5 | | 50-0079 | 50-2074 | G50-7120 | | |
| | 10 | | 50-0080 | 50-2075 | | | |
| | 2.5 | | | G50-7110 | G50-7121 | G50-7127 | |
| 600 | 5 | | 50-0081 | 50-2076 | G50-7122 | G50-7128 | |
| | 10 | | 50-0082 | 50-2077 | G50-7123 | | |
| | 2.5 | | | G50-7113 | G50-7124 | G50-7129 | |
| 750 | 5 | | 50-0083 | 50-2078 | G50-7125 | | |
| | 10 | | 50-0084 | | | | |
| 800 | 5 | | 50-0085 | 50-2079 | | | |
| | 10 | | 50-0086 | 50-2080 | | | |
| 1000 | 5 | | 50-0087 | 50-2081 | | | |
| | 10 | | 50-0088 | 50-2082 | | | |

Accessories

Quick-Fix (Art.-no.: 55021)



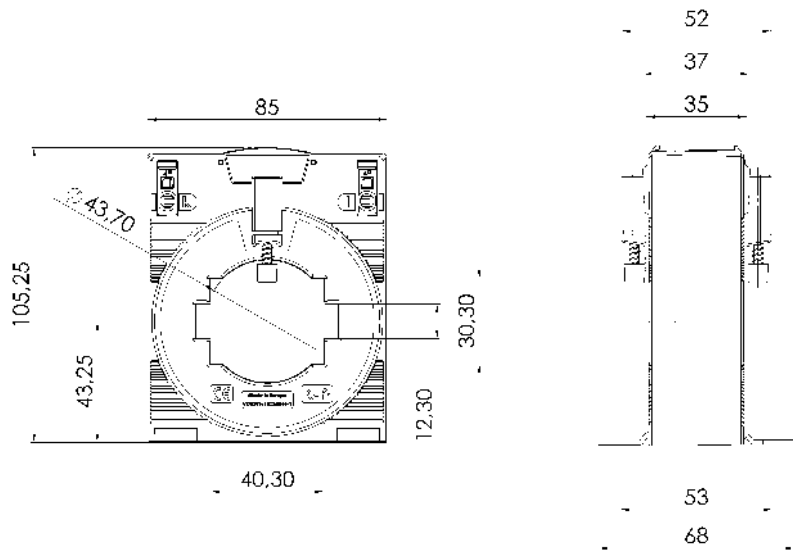
Sealed shutter (Art.-no.: 59057)



Snap-on mounting to clip the current transformer onto 35 mm DIN rail (Art.-no. 55015)



CTB 51.35 Plug-in current transformer



Dimension:

Primary conductor 1: 50 x 12 mm
 Primary conductor 2: 40 x 30 mm
 Round conductor: 43.7 mm
 Transformer width: 85 mm
 Transformer height: 105.25 mm
 Total depth: 52 mm

General technical specifications:

Thermal nominal continuous rated current I_{cth} : $1.2 \times I_N$
 Thermal nominal short-time current I_{th} : $60 \times I_N$, 1 sec.
 Maximum operating voltage U_m : 1.2 kV, U_{eff}
 Isolation test voltage: 6 kV, U_{eff} , 50 Hz, 1 Min.

Lightning impulse voltage: 12kV, 1,2/50 μ s

Rated frequency: 50 / 60 Hz

Applicable technical standards: DIN EN 61869, part 1 + 2

Order list – secondary 5A

| Secondary current | | 5A | | | | |
|-------------------|--------|----------------|----------|----------|----------|----------|
| Primary current | Burden | Accuracy class | | | | |
| | | 1 | 0.5 | 0.5S | 0.2 | 0.2S |
| [A] | [VA] | Art.-no. | Art.-no. | Art.-no. | Art.-no. | Art.-no. |
| 100 | 1.25 | 50-0100 | | | | |
| | 1.5 | | G50-5201 | G50-5223 | | |
| 125 | 1.5 | | G50-5202 | G50-5224 | | |
| | 2.5 | 50-0101 | | | | |
| 150 | 2.5 | 50-0102 | G50-5203 | G50-5225 | | |
| 200 | 1.5 | | 50-2100 | G50-5226 | G50-5244 | |
| | 2.5 | | G50-5205 | G50-5227 | | |
| | 5 | 50-0103 | | | | |
| 250 | 1.5 | | G50-5206 | G50-5228 | G50-5245 | G50-5258 |
| | 2.5 | | 50-2101 | G50-5229 | G50-5246 | |
| | 5 | 50-0104 | | | | |
| 300 | 2.5 | | 50-2102 | G50-5230 | G50-5247 | G50-5259 |
| | 5 | 50-0105 | G50-5209 | G50-5231 | G50-5248 | |
| 400 | 2.5 | | G50-5210 | G50-5232 | G50-5249 | G50-5260 |
| | 5 | 50-0106 | 50-2103 | G50-5233 | G50-5250 | |
| | 10 | 50-0107 | | | | |
| 500 | 2.5 | | G50-5212 | G50-5234 | G50-5251 | G50-5261 |
| | 5 | 50-0108 | 50-2104 | G50-5235 | G50-5252 | G50-5262 |
| | 10 | 50-0109 | 50-2105 | | | |
| 600 | 2.5 | | G50-5215 | G50-5236 | G50-5253 | G50-5263 |
| | 5 | 50-0110 | 50-2106 | G50-5237 | G50-5254 | G50-5264 |
| | 10 | 50-0111 | 50-2107 | G50-5238 | | |
| 750 | 2.5 | | G50-5218 | G50-5239 | G50-5255 | G50-5265 |
| | 5 | 50-0112 | 50-2108 | G50-5240 | G50-5256 | G50-5266 |
| | 10 | 50-0113 | 50-2109 | G50-5241 | | |
| 800 | 5 | 50-0114 | 50-2110 | | | |
| | 10 | 50-0115 | 50-2111 | | | |

Order list – secondary 5A

| Secondary current | | 5A | | | | |
|-------------------|--------|----------------|----------|----------|----------|----------|
| Primary current | Burden | Accuracy class | | | | |
| | | 1 | 0.5 | 0.5S | 0.2 | 0.2S |
| [A] | [VA] | Art.-no. | Art.-no. | Art.-no. | Art.-no. | Art.-no. |
| 1000 | 5 | 50-0116 | 50-2112 | G50-5242 | G50-5257 | G50-5267 |
| | 10 | 50-0117 | 50-2113 | G50-5243 | | |
| 1200 | 5 | 50-0291 | 50-2114 | | | |
| | 10 | 50-0292 | 50-2115 | | | |
| 1250 | 5 | 50-0118 | 50-2116 | | | |
| | 10 | 50-0119 | 50-2117 | | | |

Order list – secondary 1A

| Secondary current | | 1A | | | | |
|-------------------|--------|----------------|----------|----------|----------|----------|
| Primary current | Burden | Accuracy class | | | | |
| | | 1 | 0.5 | 0.5S | 0.2 | 0.2S |
| [A] | [VA] | Art.-no. | Art.-no. | Art.-no. | Art.-no. | Art.-no. |
| 100 | 1.25 | 50-0120 | | | | |
| | 1.5 | | G50-7201 | G50-7224 | | |
| 125 | 1.5 | | G50-7202 | G50-7225 | | |
| | 2.5 | 50-0121 | | | | |
| 150 | 2.5 | 50-0122 | G50-7203 | G50-7226 | | |
| 200 | 1.5 | | 50-2120 | G50-7227 | G50-7246 | |
| | 2.5 | | G50-7205 | G50-7228 | G50-7247 | |
| | 5 | 50-0123 | | | | |
| 250 | 1.5 | | G50-7206 | G50-7229 | G50-7248 | G50-7260 |
| | 2.5 | | 50-2121 | G50-7230 | G50-7249 | |
| | 5 | 50-0124 | G50-7208 | G50-7231 | | |
| 300 | 2.5 | | 50-2122 | G50-7232 | G50-7250 | G50-7261 |
| | 5 | 50-0125 | G50-7210 | G50-7233 | G50-7251 | |
| 400 | 2.5 | | G50-7211 | G50-7234 | G50-7252 | G50-7262 |
| | 5 | 50-0126 | 50-2123 | G50-7235 | | |
| | 10 | 50-0127 | | | | |
| 500 | 2.5 | | G50-7213 | G50-7236 | G50-7253 | G50-7263 |
| | 5 | 50-0128 | 50-2124 | G50-7237 | G50-7254 | G50-7264 |
| | 10 | 50-0129 | 50-2125 | | | |
| 600 | 2.5 | | G50-7216 | G50-7238 | G50-7255 | G50-7265 |
| | 5 | 50-0130 | 50-2126 | G50-7239 | G50-7256 | |
| | 10 | 50-0131 | 50-2127 | G50-7240 | | |
| 750 | 2.5 | | G50-7219 | G50-7241 | G50-7257 | G50-7266 |
| | 5 | 50-0132 | 50-2128 | G50-7242 | G50-7258 | |
| | 10 | 50-0133 | 50-2129 | G50-7243 | | |
| 800 | 5 | 50-0134 | 50-2130 | | | |
| | 10 | 50-0135 | 50-2131 | | | |
| 1000 | 5 | 50-0136 | 50-2132 | G50-7244 | G50-7259 | G50-7267 |
| | 10 | 50-0137 | 50-2133 | G50-7245 | | |
| 1200 | 5 | 50-0293 | 50-2134 | | | |
| | 10 | 50-0294 | 50-2135 | | | |
| 1250 | 5 | 50-0138 | 50-2136 | | | |
| | 10 | 50-0139 | 50-2137 | | | |

Accessories

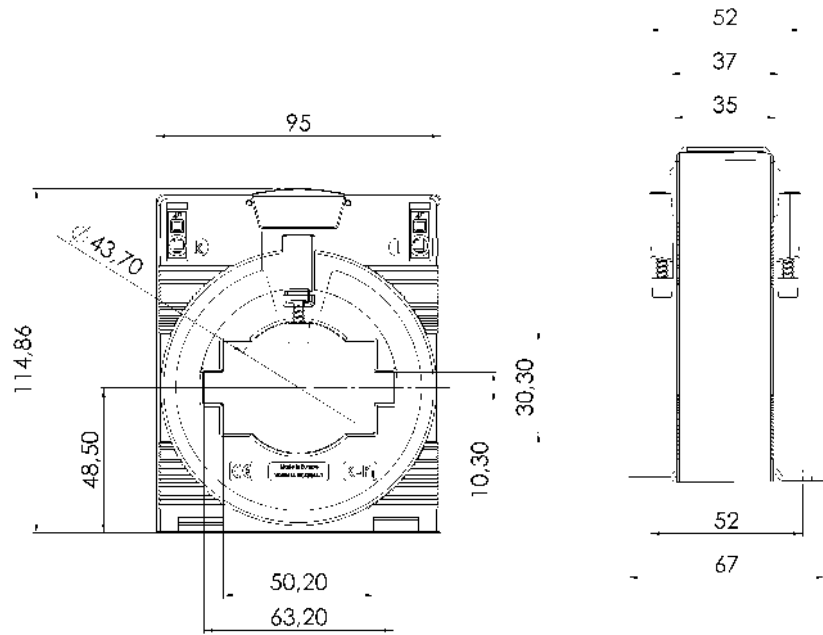
Quick-Fix (Art.-no.: 55021)



Sealed shutter (Art.-no.: 59058)



CTB 61.35 Plug-in current transformer



Dimension:

Primary conductor 1: 63 x 10 mm
 Primary conductor 2: 50 x 30 mm
 Round conductor: 43.7 mm
 Transformer width: 95 mm
 Transformer height: 114.86 mm
 Total depth: 52 mm

General technical specifications:

Thermal nominal continuous rated current I_{cth} : 1.2 x I_N
 Thermal nominal short-time current I_{th} : 60 x I_N , 1 sec.
 Maximum operating voltage U_m : 1.2 kV, U_{eff}
 Isolation test voltage: 6 kV, U_{eff} , 50 Hz, 1 Min.

Lightning impulse voltage: 12kV, 1,2/50 μ s

Rated frequency: 50 / 60 Hz

Applicable technical standards: DIN EN 61869, part 1 + 2

Order list – secondary 5A

| Secondary current | | 5A | | | | |
|-------------------|--------|----------------|----------|----------|----------|----------|
| Primary current | Burden | Accuracy class | | | | |
| | | 1 | 0.5 | 0.5S | 0.2 | 0.2S |
| [A] | [VA] | Art.-no. | Art.-no. | Art.-no. | Art.-no. | Art.-no. |
| 200 | 1.5 | | G50-5301 | G50-5326 | G50-5350 | |
| | 2.5 | 50-0150 | 50-2150 | | | |
| 250 | 1.5 | | G50-5303 | G50-5328 | G50-5352 | |
| | 2.5 | | 50-2151 | G50-5329 | G50-5353 | |
| | 5 | 50-0151 | G50-5305 | G50-5330 | | |
| 300 | 2.5 | | G50-5306 | G50-5331 | G50-5354 | G50-5365 |
| | 5 | 50-0152 | 50-2152 | G50-5332 | G50-5355 | |
| 400 | 2.5 | | G50-5308 | G50-5333 | G50-5356 | G50-5366 |
| | 5 | 50-0153 | 50-2153 | G50-5334 | G50-5357 | |
| 500 | 2.5 | | G50-5310 | G50-5335 | G50-5358 | G50-5367 |
| | 5 | 50-0154 | 50-2154 | G50-5336 | G50-5359 | G50-5368 |
| 600 | 2.5 | | G50-5312 | G50-5337 | G50-5360 | G50-5369 |
| | 5 | 50-0155 | 50-2155 | G50-5338 | G50-5361 | G50-5370 |
| 750 | 5 | 50-0156 | 50-2156 | G50-5339 | G50-5362 | G50-5371 |
| | 10 | 50-0157 | 50-2157 | G50-5340 | | |
| 800 | 5 | 50-0158 | 50-2158 | G50-5341 | G50-5363 | |
| | 10 | 50-0159 | 50-2159 | | | |
| 1000 | 5 | 50-0160 | 50-2160 | G50-5342 | G50-5364 | |
| | 10 | 50-0161 | 50-2161 | G50-5343 | | |
| 1200 | 5 | 50-0287 | 50-2162 | G50-5344 | | |
| | 10 | 50-0288 | 50-2163 | G50-5345 | | |

Order list – secondary 5A

| Secondary current | | 5A | | | | |
|-------------------|--------|----------------|----------|----------|----------|----------|
| Primary current | Burden | Accuracy class | | | | |
| | | 1 | 0.5 | 0.5S | 0.2 | 0.2S |
| [A] | [VA] | Art.-no. | Art.-no. | Art.-no. | Art.-no. | Art.-no. |
| 1250 | 5 | 50-0162 | 50-2164 | G50-5346 | | |
| | 10 | 50-0163 | 50-2165 | G50-5347 | | |
| 1500 | 5 | 50-0164 | 50-2166 | G50-5348 | | |
| | 10 | 50-0165 | 50-2167 | G50-5349 | | |
| 1600 | 5 | 50-0166 | 50-2168 | | | |
| | 10 | 50-0167 | 50-2169 | | | |

Order list – secondary 1A

| Secondary current | | 1A | | | | |
|-------------------|--------|----------------|----------|----------|----------|----------|
| Primary current | Burden | Accuracy class | | | | |
| | | 1 | 0.5 | 0.5S | 0.2 | 0.2S |
| [A] | [VA] | Art.-no. | Art.-no. | Art.-no. | Art.-no. | Art.-no. |
| 200 | 1.5 | | G50-7301 | G50-7326 | G50-7351 | |
| | 2.5 | 50-0170 | 50-2170 | G50-7327 | G50-7352 | |
| 250 | 1.5 | | G50-7303 | G50-7328 | G50-7353 | G50-7373 |
| | 2.5 | | 50-2171 | G50-7329 | G50-7354 | |
| | 5 | 50-0171 | G50-7305 | G50-7330 | | |
| 300 | 2.5 | | G50-7306 | G50-7331 | G50-7355 | G50-7374 |
| | 5 | 50-0172 | 50-2172 | G50-7332 | G50-7356 | |
| 400 | 2.5 | | G50-7308 | G50-7333 | G50-7357 | G50-7375 |
| | 5 | 50-0153 | 50-2173 | G50-7334 | G50-7358 | |
| 500 | 2.5 | | G50-7310 | G50-7335 | G50-7359 | G50-7376 |
| | 5 | 50-0173 | 50-2174 | G50-7336 | G50-7360 | G50-7377 |
| 600 | 2.5 | | G50-7312 | G50-7337 | G50-7361 | G50-7378 |
| | 5 | 50-0175 | 50-2175 | G50-7338 | G50-7362 | G50-7379 |
| 750 | 5 | 50-0176 | 50-2176 | G50-7339 | G50-7363 | G50-7380 |
| | 10 | 50-0177 | 50-2177 | G50-7340 | | |
| 800 | 5 | 50-0178 | 50-2178 | G50-7341 | G50-7364 | |
| | 10 | 50-0179 | 50-2179 | G50-7342 | | |
| 1000 | 5 | 50-0180 | 50-2180 | G50-7343 | G50-7365 | |
| | 10 | 50-0181 | 50-2181 | G50-7344 | G50-7366 | |
| 1200 | 5 | 50-0289 | 50-2182 | G50-7345 | G50-7367 | |
| | 10 | 50-0290 | 50-2183 | G50-7346 | G50-7368 | |
| 1250 | 5 | 50-0182 | 50-2184 | G50-7347 | G50-7369 | |
| | 10 | 50-0183 | 50-2185 | G50-7348 | G50-7370 | |
| 1500 | 5 | 50-0184 | 50-2186 | G50-7349 | G50-7371 | |
| | 10 | 50-0185 | 50-2187 | G50-7350 | G50-7372 | |
| 1600 | 5 | 50-0186 | 50-2188 | | | |
| | 10 | 50-0187 | 50-2189 | | | |

Accessories

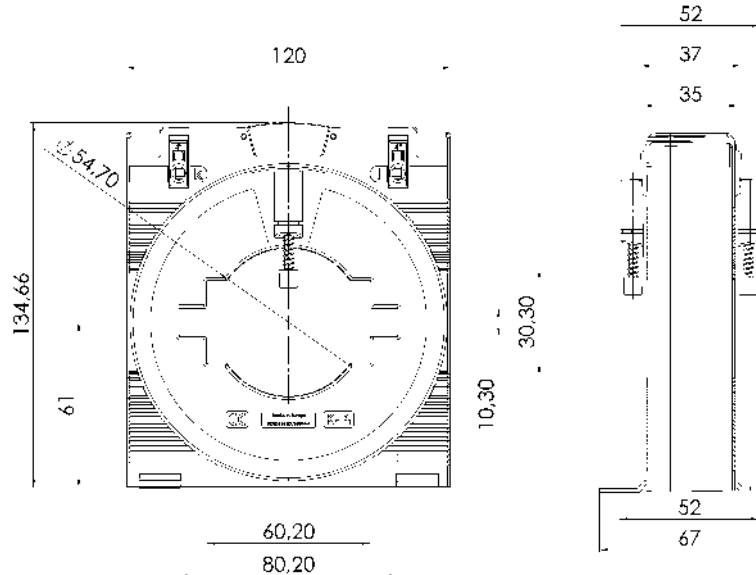
Quick-Fix (Art.-no.: 55021)



Sealed shutter (Art.-no.: 59059)



CTB 81.35 Plug-in current transformer



Dimension:

Primary conductor 1: 80 x 10 mm
 Primary conductor 2: 60 x 30 mm
 Round conductor: 54.7 mm
 Transformer width: 120 mm
 Transformer height: 134.66 mm
 Total depth: 52 mm

General technical specifications:

Thermal nominal continuous rated current I_{cth} : $1.2 \times I_N$
 Thermal nominal short-time current I_{th} : $60 \times I_N$, 1 sec.
 Maximum operating voltage U_m : 1.2 kV, U_{eff}
 Isolation test voltage: 6 kV, U_{eff} , 50 Hz, 1 Min.
Lightning impulse voltage: 12kV, 1,2/50 μ s
 Rated frequency: 50 / 60 Hz
 Applicable technical standards: DIN EN 61869, part 1 + 2

Order list – secondary 5A

| Secondary current | | 5A | | | | |
|-------------------|--------|----------------|----------|----------|----------|----------|
| Primary current | Burden | Accuracy class | | | | |
| | | 1 | 0.5 | 0.5S | 0.2 | 0.2S |
| [A] | [VA] | Art.-no. | Art.-no. | Art.-no. | Art.-no. | Art.-no. |
| 400 | 2.5 | | 50-2190 | G50-5430 | G50-5457 | |
| | 5 | 50-0190 | | | | |
| 500 | 2.5 | | 50-2191 | G50-5431 | G50-5458 | G50-5482 |
| | 5 | 50-0191 | G50-5403 | | | |
| 600 | 2.5 | | G50-5404 | G50-5432 | G50-5459 | G50-5483 |
| | 5 | 50-0192 | 50-2192 | G50-5433 | G50-5460 | G50-5484 |
| 750 | 2.5 | | G50-5406 | G50-5434 | G50-5461 | G50-5485 |
| | 5 | 50-0193 | 50-2193 | G50-5435 | G50-5462 | G50-5486 |
| | 10 | 50-0194 | 50-2194 | | | |
| 800 | 2.5 | | G50-5409 | G50-5436 | G50-5463 | G50-5487 |
| | 5 | 50-0195 | 50-2195 | G50-5437 | G50-5464 | G50-5488 |
| | 10 | 50-0196 | 50-2196 | G50-5438 | | |
| 1000 | 5 | 50-0197 | 50-2197 | G50-5439 | G50-5465 | G50-5489 |
| | 10 | 50-0198 | 50-2198 | G50-5440 | G50-5466 | |
| | 15 | | G50-5414 | G50-5441 | | |
| 1200 | 5 | 50-0283 | 50-2199 | G50-5442 | G50-5467 | G50-5490 |
| | 10 | 50-0284 | 50-2200 | G50-5443 | G50-5468 | |
| | 15 | | G50-5417 | G50-5444 | G50-5469 | |
| 1250 | 5 | 50-0199 | 50-2201 | G50-5445 | G50-5470 | G50-5491 |
| | 10 | 50-0200 | 50-2202 | G50-5446 | G50-5471 | |
| | 15 | | G50-5420 | G50-5447 | G50-5472 | |

Order list – secondary 5A

| Secondary current | | 5A | | | | |
|-------------------|--------|----------------|----------|----------|----------|----------|
| Primary current | Burden | Accuracy class | | | | |
| | | 1 | 0.5 | 0.5S | 0.2 | 0.2S |
| [A] | [VA] | Art.-no. | Art.-no. | Art.-no. | Art.-no. | Art.-no. |
| 1500 | 5 | 50-0201 | 50-2203 | G50-5448 | G50-5473 | G50-5492 |
| | 10 | 50-0202 | 50-2204 | G50-5449 | G50-5474 | |
| | 15 | | G50-5423 | G50-5450 | G50-5475 | |
| 1600 | 5 | 50-0203 | 50-2205 | G50-5451 | G50-5476 | G50-5493 |
| | 10 | 50-0204 | 50-2206 | G50-5452 | G50-5477 | G50-5494 |
| | 15 | | G50-5426 | G50-5453 | G50-5478 | |
| 2000 | 5 | | G50-5427 | G50-5454 | G50-5479 | G50-5495 |
| | 10 | 50-0205 | 50-2207 | G50-5455 | G50-5480 | G50-5496 |
| | 15 | 50-0206 | 50-2208 | G50-5456 | G50-5481 | |

Order list – secondary 1A

| Secondary current | | 1A | | | | |
|-------------------|--------|----------------|----------|----------|----------|----------|
| Primary current | Burden | Accuracy class | | | | |
| | | 1 | 0.5 | 0.5S | 0.2 | 0.2S |
| [A] | [VA] | Art.-no. | Art.-no. | Art.-no. | Art.-no. | Art.-no. |
| 400 | 2.5 | | 50-2210 | G50-7430 | G50-7459 | |
| | 5 | 50-0210 | | | | |
| 500 | 2.5 | | G50-7402 | G50-7431 | G50-7460 | G50-7484 |
| | 5 | 50-0211 | 50-2211 | G50-7432 | | |
| 600 | 2.5 | | G50-7404 | G50-7433 | G50-7461 | G50-7485 |
| | 5 | 50-0212 | 50-2212 | G50-7434 | G50-7462 | G50-7486 |
| 750 | 2.5 | | G50-7406 | G50-7435 | G50-7463 | G50-7487 |
| | 5 | 50-0213 | 50-2213 | G50-7436 | G50-7464 | G50-7488 |
| | 10 | 50-0214 | 50-2214 | G50-7437 | | |
| 800 | 2.5 | | G50-7409 | G50-7438 | G50-7465 | G50-7489 |
| | 5 | 50-0215 | 50-2215 | G50-7439 | G50-7466 | G50-7490 |
| | 10 | 50-0216 | 50-2216 | G50-7440 | | |
| 1000 | 5 | 50-0217 | 50-2217 | G50-7441 | G50-7467 | G50-7491 |
| | 10 | 50-0218 | 50-2218 | G50-7442 | G50-7468 | |
| | 15 | | G50-7414 | G50-7443 | | |
| 1200 | 5 | 50-0285 | 50-2219 | G50-7444 | G50-7469 | G50-7492 |
| | 10 | 50-0286 | 50-2220 | G50-7445 | G50-7470 | G50-7493 |
| | 15 | | G50-7417 | G50-7446 | G50-7471 | |
| 1250 | 5 | 50-0219 | 50-2221 | G50-7447 | G50-7472 | G50-7494 |
| | 10 | 50-0220 | 50-2222 | G50-7448 | G50-7473 | G50-7495 |
| | 15 | | G50-7420 | G50-7449 | G50-7474 | |
| 1500 | 5 | 50-0221 | 50-2223 | G50-7450 | G50-7475 | G50-7496 |
| | 10 | 50-0222 | 50-2224 | G50-7451 | G50-7476 | G50-7497 |
| | 15 | | G50-7423 | G50-7452 | G50-7477 | |
| 1600 | 5 | 50-0223 | 50-2225 | G50-7453 | G50-7478 | G50-7498 |
| | 10 | 50-0224 | 50-2226 | G50-7454 | G50-7479 | G50-7499 |
| | 15 | | G50-7426 | G50-7455 | G50-7480 | |
| 2000 | 5 | | G50-7427 | G50-7456 | G50-7481 | G50-7500 |
| | 10 | 50-0225 | 50-2227 | G50-7457 | G50-7482 | G50-7501 |
| | 15 | 50-0226 | 50-2228 | G50-7458 | G50-7483 | |

Accessories

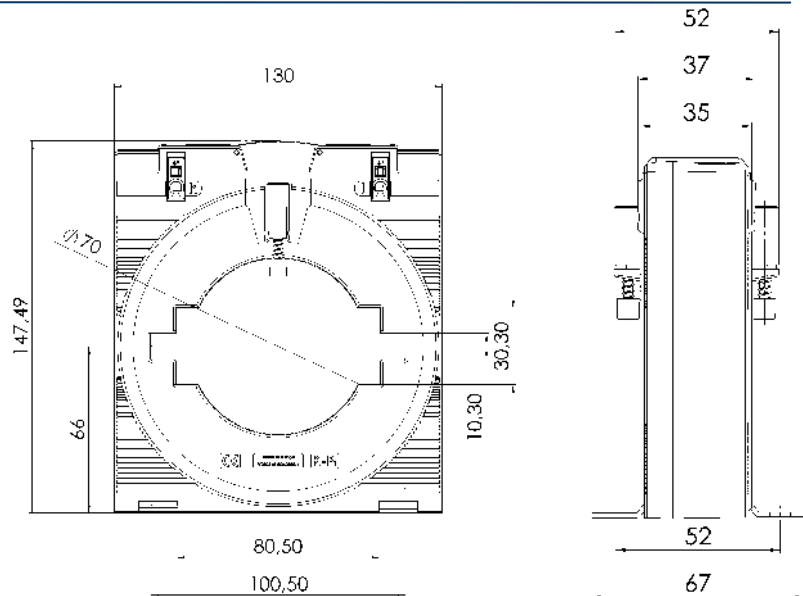
Quick-Fix (Art.-no.: 55021)



Sealed shutter
(Art.-no.: 59059)



CTB 101.35 Plug-in current transformer



Dimension:

Primary conductor 1: 100 x 10 mm
 Primary conductor 2: 80 x 30 mm
 Round conductor: 70 mm
 Transformer width: 130 mm
 Transformer height: 147.49 mm
 Total depth: 52 mm

General technical specifications:

Thermal nominal continuous rated current I_{cth} : $1.2 \times I_N$
 Thermal nominal short-time current I_{th} : $60 \times I_N$, 1 sec.
 Maximum operating voltage U_m : 1.2 kV, U_{eff}
 Isolation test voltage: 6 kV, U_{eff} , 50 Hz, 1 Min.

Lightning impulse voltage: 12kV, 1,2/50 μ s

Rated frequency: 50 / 60 Hz

Applicable technical standards: DIN EN 61869, part 1 + 2

Order list – secondary 5A

| Secondary current | | 5A | | | | |
|-------------------|--------|----------------|----------|----------|----------|----------|
| Primary current | Burden | Accuracy class | | | | |
| | | 1 | 0.5 | 0.5S | 0.2 | 0.2S |
| [A] | [VA] | Art.-no. | Art.-no. | Art.-no. | Art.-no. | Art.-no. |
| 400 | 2.5 | | 50-2230 | | | |
| | 5 | 50-0230 | | | | |
| 500 | 2.5 | | G50-5602 | | | |
| | 5 | 50-0231 | 50-2231 | | | |
| 600 | 2.5 | | G50-5603 | G50-5629 | | |
| | 5 | | 50-2232 | | | |
| | 10 | 50-0232 | | | | |
| 750 | 2.5 | | G50-5605 | G50-5630 | | |
| | 5 | 50-0233 | 50-2233 | G50-5631 | | |
| | 10 | 50-0234 | 50-2234 | | | |
| 800 | 2.5 | | G50-5608 | G50-5632 | | |
| | 5 | 50-0235 | 50-2235 | G50-5633 | | |
| | 10 | 50-0236 | 50-2236 | | | |
| 1000 | 5 | 50-0237 | 50-2237 | G50-5634 | G50-5651 | |
| | 10 | 50-0238 | 50-2238 | G50-5635 | | |
| | 15 | | G50-5613 | | | |
| 1200 | 5 | 50-0279 | 50-2239 | G50-5636 | G50-5652 | G50-5665 |
| | 10 | 50-0280 | 50-2240 | G50-5637 | G50-5653 | |
| | 15 | | G50-5616 | G50-5638 | | |
| 1250 | 5 | 50-0239 | 50-2241 | G50-5639 | G50-5654 | G50-5666 |
| | 10 | 50-0240 | 50-2242 | G50-5640 | G50-5655 | |
| | 15 | | G50-5619 | G50-5641 | | |
| 1500 | 5 | | G50-5620 | G50-5642 | G50-5656 | G50-5667 |
| | 10 | 50-0241 | 50-2243 | G50-5643 | G50-5657 | |
| | 15 | 50-0242 | 50-2244 | G50-5644 | G50-5658 | |

Order list – secondary 5A

| Secondary current | | 5A | | | | |
|-------------------|--------|----------------|----------|----------|----------|----------|
| Primary current | Burden | Accuracy class | | | | |
| | | 1 | 0.5 | 0.5S | 0.2 | 0.2S |
| [A] | [VA] | Art.-no. | Art.-no. | Art.-no. | Art.-no. | Art.-no. |
| 1600 | 5 | | G50-5623 | G50-5645 | G50-5659 | G50-5668 |
| | 10 | 50-0243 | 50-2245 | G50-5646 | G50-5660 | G50-5669 |
| | 15 | 50-0244 | 50-2246 | G50-5647 | G50-5661 | |
| 2000 | 5 | | G50-5626 | G50-5648 | G50-5662 | G50-5670 |
| | 10 | 50-0245 | 50-2247 | G50-5649 | G50-5663 | G50-5671 |
| | 15 | 50-0246 | 50-2248 | G50-5650 | G50-5664 | |
| 2500 | 10 | 50-0247 | 50-2249 | | | |
| | 15 | 50-0248 | 50-2250 | | | |

Order list – secondary 1A

| Secondary current | | 1A | | | | |
|-------------------|--------|----------------|----------|----------|----------|----------|
| Primary current | Burden | Accuracy class | | | | |
| | | 1 | 0.5 | 0.5S | 0.2 | 0.2S |
| [A] | [VA] | Art.-no. | Art.-no. | Art.-no. | Art.-no. | Art.-no. |
| 400 | 2.5 | | 50-2260 | | | |
| | 5 | 50-0260 | | | | |
| 500 | 2.5 | | G50-7602 | G50-7629 | | |
| | 5 | 50-0261 | 50-2261 | | | |
| 600 | 2.5 | | G50-7603 | G50-7630 | | |
| | 5 | | 50-2262 | G50-7631 | | |
| | 10 | 50-0262 | | | | |
| 750 | 2.5 | | G50-7605 | G50-7632 | | |
| | 5 | 50-0263 | 50-2263 | G50-7633 | | |
| | 10 | 50-0264 | 50-2264 | G50-7634 | | |
| 800 | 2.5 | | G50-7608 | G50-7635 | G50-7656 | |
| | 5 | 50-0265 | 50-2265 | G50-7636 | | |
| | 10 | 50-0266 | 50-2266 | G50-7637 | | |
| 1000 | 5 | 50-0267 | 50-2267 | G50-7638 | G50-7657 | G50-7671 |
| | 10 | 50-0268 | 50-2268 | G50-7639 | | |
| | 15 | | G50-7613 | G50-7640 | | |
| 1200 | 5 | 50-0281 | 50-2269 | G50-7641 | G50-7658 | G50-7672 |
| | 10 | 50-0282 | 50-2270 | G50-7642 | G50-7659 | |
| | 15 | | G50-7616 | G50-7643 | | |
| 1250 | 5 | 50-0269 | 50-2271 | G50-7644 | G50-7660 | G50-7673 |
| | 10 | 50-0270 | 50-2272 | G50-7645 | G50-7661 | |
| | 15 | | G50-7619 | G50-7646 | | |
| 1500 | 5 | | G50-7620 | G50-7647 | G50-7662 | G50-7674 |
| | 10 | 50-0271 | 50-2273 | G50-7648 | G50-7663 | |
| | 15 | 50-0272 | 50-2274 | G50-7649 | G50-7664 | |
| 1600 | 5 | | G50-7623 | G50-7650 | G50-7665 | G50-7675 |
| | 10 | 50-0273 | 50-2275 | G50-7651 | G50-7666 | G50-7676 |
| | 15 | 50-0274 | 50-2276 | G50-7652 | G50-7667 | |
| 2000 | 5 | | G50-7626 | G50-7653 | G50-7668 | G50-7677 |
| | 10 | 50-0275 | 50-2277 | G50-7654 | G50-7669 | G50-7678 |
| | 15 | 50-0276 | 50-2278 | G50-7655 | G50-7670 | |
| 2500 | 10 | 50-0277 | 50-2279 | | | |
| | 15 | 50-0278 | 50-2280 | | | |

Accessories

Quick-Fix (Art.-no.: 55021)



Sealed shutter (Art.-no.: 59059)





- Current transformers for industry
- Current transformers for tariff
- Accessories for current transformers
- Medium-voltage CTs
- Bus bar insulators / -supports
- Shunts
- Voltage transformers
- All current sensors
- Measuring transducers
- Energy meters with or without MID approval
- Accessories for energy meters
- Panel board heaters, filter fans, roof fans and control units



www.mbs-ag.com



MBS AG
 Eisbachstraße 51 • 74429 Sulzbach-Laufen • Germany
 Telefon: +49 7976 9851-0 • Telefax: +49 7976 9851-90
info@mbs-ag.com • www.mbs-ag.com